

SUBMITTAL DATA SHEET

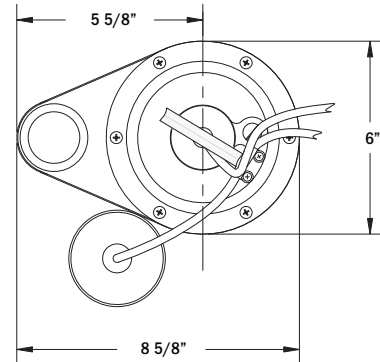
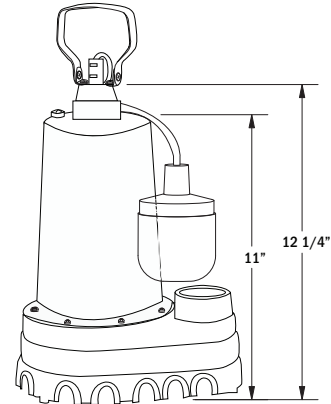
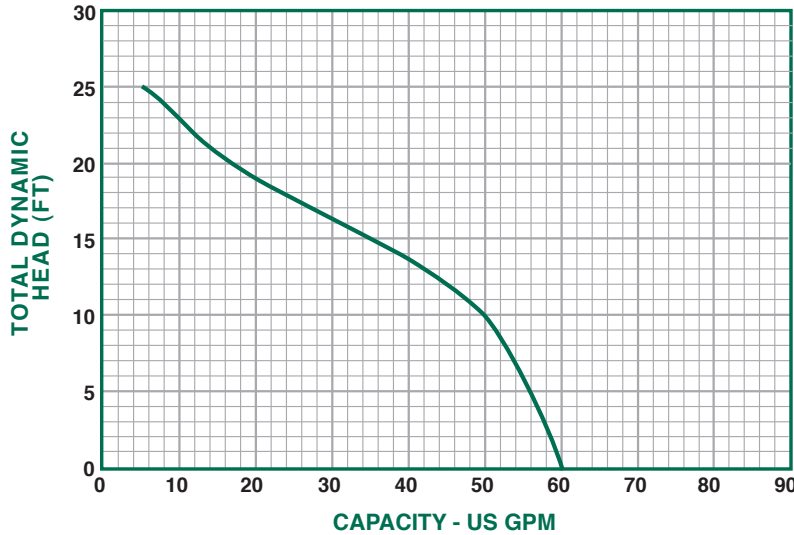
Sump, Sewage, & Effluent Pumps
 DuraMAC™ | Guardian
5033CUEF Effluent Pump



See Pumps & Accessories
 Price List for Limited
 Warranty details.

With a rugged cast iron construction, the 5033CUEF can handle up to 60 gallons per minute (GPM).

Performance Curve



Performance

Model	Gallons per Minute in Feet					
	0	5	10	15	20	25
5033CUEF	60	56	50	35	15	6

Specifications

Model No.	HP	Volts	Hz	Amps	Construction	Discharge Size	Cord Length	Solids Handling	RPM	Phase	Wt.
5033CUEF (NO SWITCH)	1/3	120	60	5.9	Cast Iron	1 1/2"	10'	5/8"	3450	1	24

SUBMITTAL INFORMATION

- Split Capacitor Motor - 1/3 HP continuous duty, thermal protected
- Lifts water up to 25' of vertical height
- Also available without a switch
- 10' power cord, 25' cords are also available for an additional charge
- Large 1 1/2" discharge for high capacity pumping
- Non clogging stainless steel vortex impellers
- Tethered float switch
- Handles 5/8" solids



NO-LEAD: The weighted average of the wetted surface of this no-lead product contacted by consumable water contains less than one quarter of one percent (0.25%) lead.



A.Y. McDonald Mfg. Co.
 4800 Chavenelle Rd
 Dubuque, IA 52002

Toll Free: 1-800-292-2737
 sales@aymcdonald.com
 aymcdonald.com

A.Y. McDonald considers the information on this assembly drawing correct when published. Item and option availability, including specifications, are subject to change without notice.

Submitted by: