

SUBMITTAL DATA SHEET

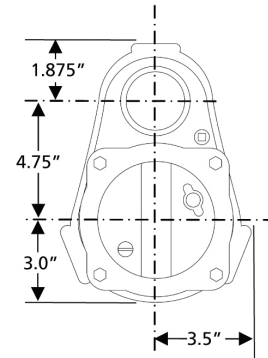
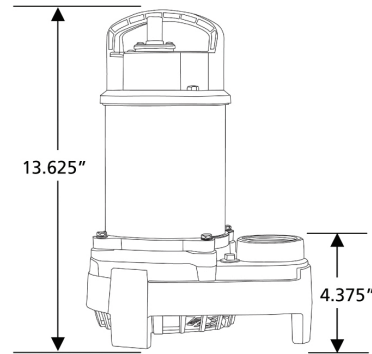
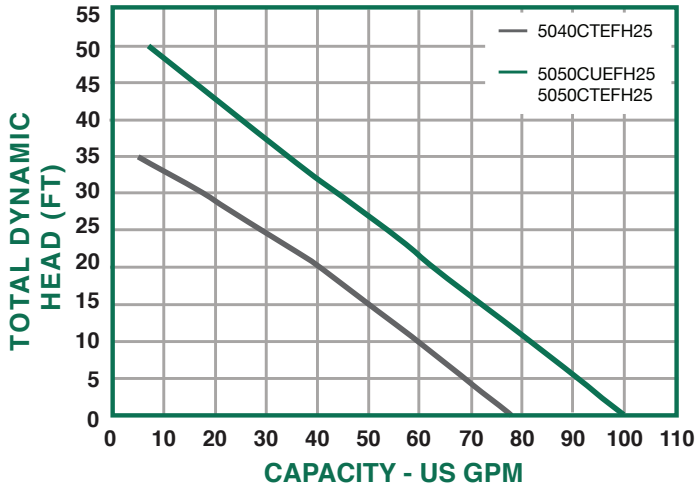
Sump, Sewage, & Effluent Pumps
 DuraMAC™ | Guardian
**5040CTEFH25, 5050CUEFH25,
 & 5050CTEFH25 High Head Effluent Pump**



See Pumps & Accessories
 Price List for Limited
 Warranty details.

This high quality and dependable pump features a stainless steel housing and a cast iron base. With a built-in thermal overload protection for safety and a permanent split capacitor continuous duty motor. Convenient carrying handle is attached.

Performance Curve



Performance

Model	Gallons per Minute in Feet											
	0	5	10	15	20	25	30	35	40	45	50	
5040CTEFH25	78	69	60	50	41	29	18	5	-	-	-	
5050CUEFH25 5050CTEFH25	100	91	82	72	63	54	44	34	25	16	7	

Specifications

Part No.	Model No.	HP	Volts	Hz	Amps	Construction	Discharge Size	Cord Length	Solids Handling	Switch	Phase	Wt.
6191-125	5040CTEFH25	4/10	120	60	7.5	Cast Iron / Stainless Steel	2" or 1 1/2"	25'	3/4"	Tethered	1	27
6191-126	5050CUEFH25 (NO SWITCH)	1/2	120	60	12	Cast Iron / Stainless Steel	2" or 1 1/2"	25'	3/4"	N/A	1	26
6191-127	5050CTEFH25	1/2	120	60	12	Cast Iron / Stainless Steel	2" or 1 1/2"	25'	3/4"	Tethered	1	28

SUBMITTAL INFORMATION

- Non-clogging stainless steel vortex impeller
- Available without switch
- 2" or 1 1/2" FNPT with adapter - discharge size
- Tethered float switch
- Handles 5/8" solids



NO-LEAD: The weighted average of the wetted surface of this no-lead product contacted by consumable water contains less than one quarter of one percent (0.25%) lead.



A.Y. McDonald Mfg. Co.
 4800 Chavenelle Rd
 Dubuque, IA 52002

Toll Free: 1-800-292-2737
 sales@aymcdonald.com
 aymcdonald.com

A.Y. McDonald considers the information on this assembly drawing correct when published. Item and option availability, including specifications, are subject to change without notice.

Submitted by: