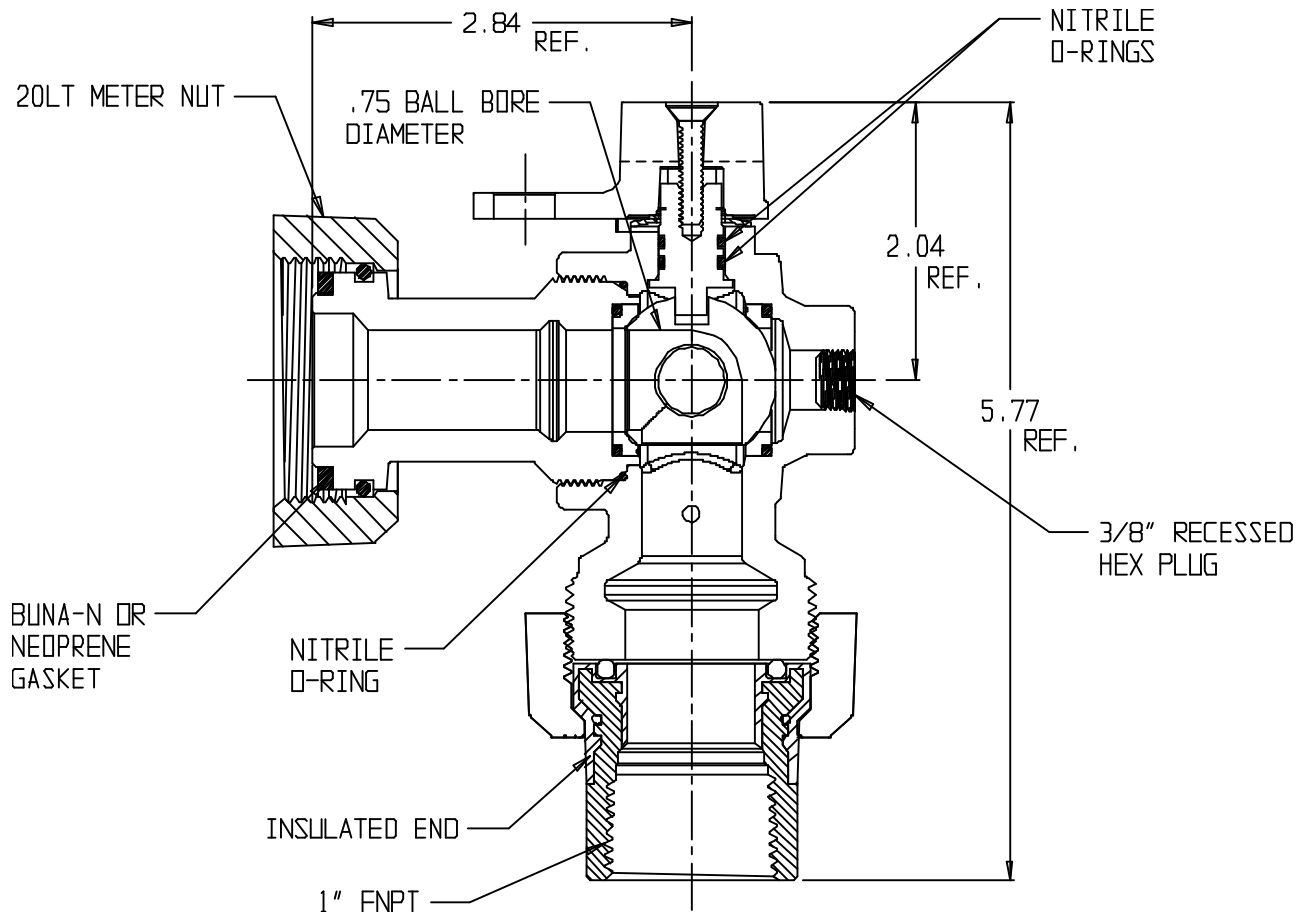


# SUBMITTAL DATA SHEET

Iron Body Gas Angle Ball Valves -857AAGB- 1x3/4 20LT

Meter Swivel x FNPT Insulated Union



## SUBMITTAL INFORMATION

- Manufactured in compliance with ANSI/ASME B16.33 (latest revision)
- Iron castings conform to ASTM A126 Class B Iron
- Optional Armorgalv® coating per ASTM A1059 (latest revision)
- UNS C36000 or CW617N brass ball rotates 90°
- Rated for 5 PSIG natural, manufactured, or LP gas pressure
- Blow out proof brass operating stem with two nitrile o-rings
- Tamper-resistant design prevents disassembly with normal household tools
- Lockwing design accommodates standard barrel locks
- Maintenance free design



A.Y. McDonald Mfg. Co.  
4800 Chavenelle Rd  
Dubuque, IA 52002

Toll Free: 1-800-292-2737  
sales@aymcdonald.com  
[aymcdonald.com](http://aymcdonald.com)

A.Y. McDonald considers the information on this assembly drawing correct when published. Item and option availability, including specifications, are subject to change without notice.

Submitted by:

02-22