

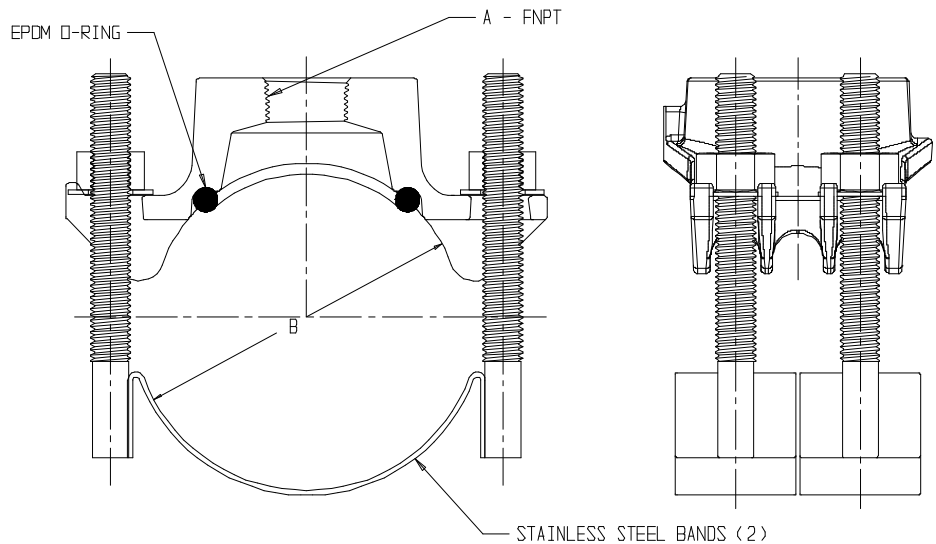
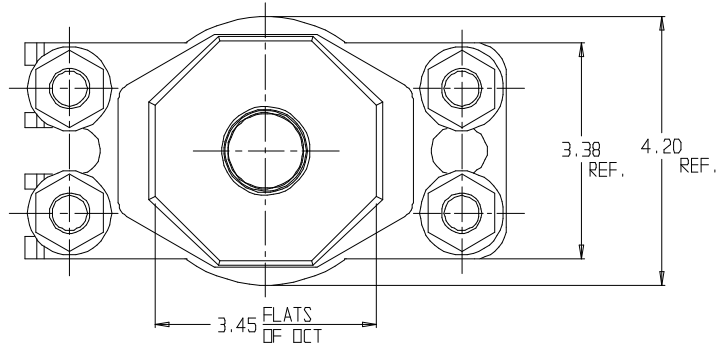
SUBMITTAL DATA SHEET



Ductile Iron Saddle with Stainless Steel Straps – 4856A

C900 PVC x FNPT

| MODEL | SIZE | A | B |
|-------|------------|-------|---------------|
| 4856A | 4 X 3/4 | 3/4 | 4.50 - 4.80 |
| 4856A | 4 X 1 | 1 | 4.50 - 4.80 |
| 4856A | 4 X 1 1/4 | 1 1/4 | 4.50 - 4.80 |
| 4856A | 4 X 1 1/2 | 1 1/2 | 4.50 - 4.80 |
| 4856A | 4 X 2 | 2 | 4.50 - 4.80 |
| 4856A | 6 X 3/4 | 3/4 | 6.63 - 6.90 |
| 4856A | 6 X 1 | 1 | 6.63 - 6.90 |
| 4856A | 6 X 1 1/4 | 1 1/4 | 6.63 - 6.90 |
| 4856A | 6 X 1 1/2 | 1 1/2 | 6.63 - 6.90 |
| 4856A | 6 X 2 | 2 | 6.63 - 6.90 |
| 4856A | 8 X 3/4 | 3/4 | 8.63 - 9.05 |
| 4856A | 8 X 1 | 1 | 8.63 - 9.05 |
| 4856A | 8 X 1 1/4 | 1 1/4 | 8.63 - 9.05 |
| 4856A | 8 X 1 1/2 | 1 1/2 | 8.63 - 9.05 |
| 4856A | 8 X 2 | 2 | 8.63 - 9.05 |
| 4856A | 10 X 3/4 | 3/4 | 10.75 - 11.10 |
| 4856A | 10 X 1 | 1 | 10.75 - 11.10 |
| 4856A | 10 X 1 1/4 | 1 1/4 | 10.75 - 11.10 |
| 4856A | 10 X 1 1/2 | 1 1/2 | 10.75 - 11.10 |
| 4856A | 10 X 2 | 2 | 10.75 - 11.10 |
| 4856A | 12 X 3/4 | 3/4 | 12.75 - 13.20 |
| 4856A | 12 X 1 | 1 | 12.75 - 13.20 |
| 4856A | 12 X 1 1/4 | 1 1/4 | 12.75 - 13.20 |
| 4856A | 12 X 1 1/2 | 1 1/2 | 12.75 - 13.20 |
| 4856A | 12 X 2 | 2 | 12.75 - 13.20 |



SUBMITTAL INFORMATION

- Manufactured in compliance with ANSI/AWWA C800 (latest revision)
- Ductile iron conforms to ASTM A536 class 65-45-12 (latest revision)
- Certified to NSF/ANSI 61
- 304L Stainless Steel strap(s) and studs. Stainless steel nuts (PTFE coated) and washers
- EPDM o-ring
- Pipe and tap size, and thread type identified on saddle
- Outlet boss with large wrench flats
- Powder coated with blue epoxy



A.Y. McDonald Mfg. CO.
4800 Chavenelle Rd
Dubuque, IA 52002

Toll Free: 1-800-292-2737
sales@aymcdonald.com
aymcdonald.com

A.Y. McDonald considers the information on this assembly drawing correct when published. Item and option availability, including specifications, are subject to change without notice.

Submitted by: