

# SUBMITTAL DATA SHEET

## DuraMAC™ Booster Pumps Vertical Multistage Variable Speed DuraMAC™ - Simplex Booster System



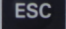

See Pumps & Accessories  
Price List for Limited  
Warranty details.

### How It Works

The Yaskawa iQpump micro drive features powerful software combined with an internal PLC to deliver multiple features that are designed help protect the drive, pump, motor, and entire pumping system. While many of these features are factory programmed and set, many features depend on the specific pumping application and may be required to be set during install.



Changing certain parameters while the drive and pump are running may cause unwanted behavior. It is recommended to turn the drive off  before changing parameter values.

To return to home screen, hold  for 3 seconds. The display should look similar to the one below. Once at the home screen, additional drive status can be viewed by pressing . Additional drive information includes output frequency, current, voltage, DC bus voltage, and kilowatts.

#### Digital Operator Keypad

System Outlet Pressure Auto Setpoint

Alarm light blinks if alarm or fault occurs.

Press to turn HAND mode on. Use only for Priming and troubleshooting. Pump will run at a fixed speed.  
Do not run against a closed discharge.

Press to turn AUTO mode on.  
If LED is blinking, Auto mode is active but pump is sleeping.

Press to turn system off.

### DuraMAC™ Vertical Multistage Variable Speed Simplex / Duplex Booster Pump Control Features

- Set it and forget it technology
- Factory set point at 50 PSI, but can be easily be changed in the field
- Extremely reliable
- Proven product
- Yaskawa Drive



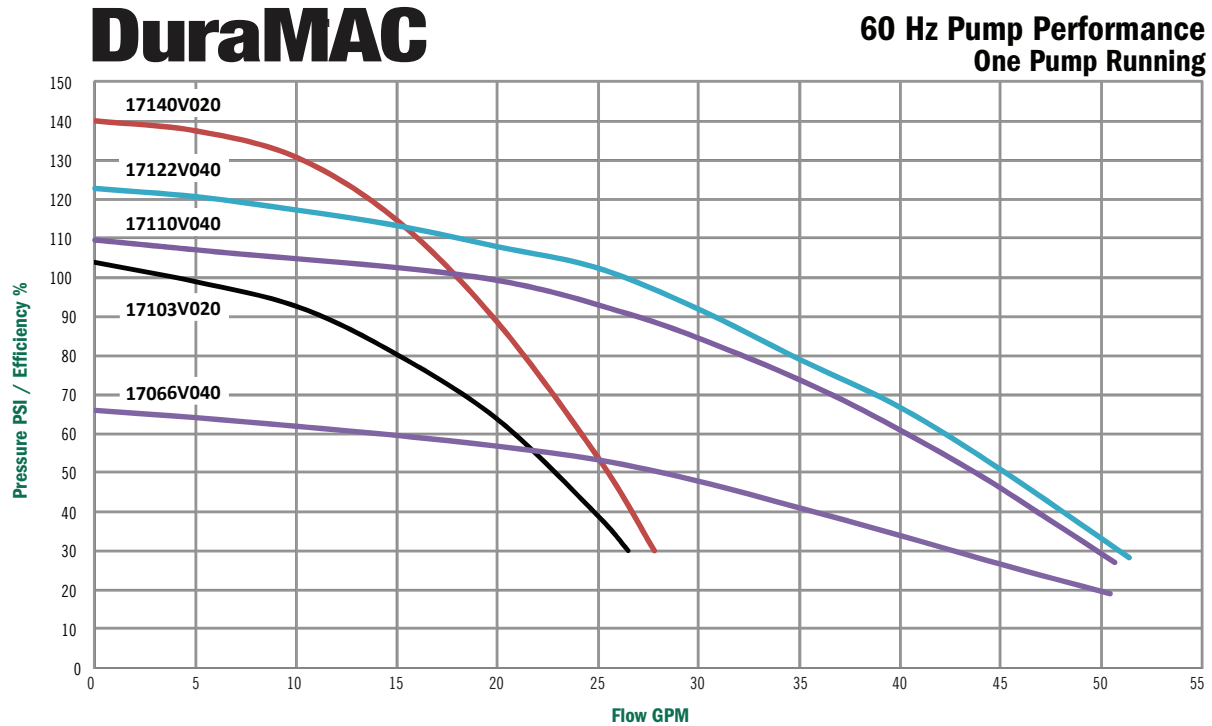
# SUBMITTAL DATA SHEET

## DuraMAC™ Booster Pumps Vertical Multistage Variable Speed DuraMAC™ - Simplex Booster System



See Pumps & Accessories  
Price List for Limited  
Warranty details.

The DuraMAC™ 1 1/2 to 3 HP Vertical Multistage Variable Speed Simplex Booster capable of up to 140 PSI and 40 gallons per minute (GPM). It's simple, versatile, sophisticated, and reliable. The Vertical Multistage Variable Speed Booster System changes motor speed based on demands of the system, which allows users to save energy costs over traditional constant speed booster systems.



### SUBMITTAL INFORMATION

- Easy set-up installation
- Variable speed control
- Stainless steel pump
- Energy efficient NEMA TEFC motors
- Liquid filled gauges
- Stainless steel base
- NEMA 1 enclosure
- 1 1/4" Suction & 1 1/4" Discharge
- Discharge transducer



NO-LEAD: The weighted average of the wetted surface of this no-lead product contacted by consumable water contains less than one quarter of one percent (0.25%) lead.



**A.Y. McDonald Mfg. Co.**  
4800 Chavenelle Rd  
Dubuque, IA 52002

**Toll Free: 1-800-292-2737**  
sales@aymcdonald.com  
aymcdonald.com

A.Y. McDonald considers the information on this assembly drawing correct when published. Item and option availability, including specifications, are subject to change without notice.

Submitted by:

# SUBMITTAL DATA SHEET

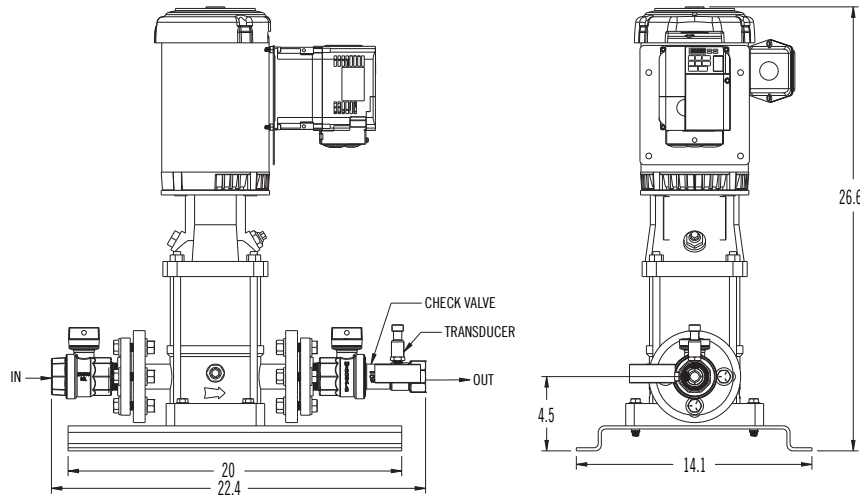
## DuraMAC™ Booster Pumps Vertical Multistage Variable Speed DuraMAC™ - Simplex Booster System



See Pumps & Accessories  
Price List for Limited  
Warranty details.

### Control Features

- Sleep Mode / Low Flow Protection
- Automatic system restart
- Sleep boost
- Dry run protection



### Materials of Construction

- Impellers	304 Stainless Steel	- Pump Seal (rotating)	Carbon / NBR
- Pump Casing Inlet	301 Stainless Steel	- Diffuser	304 Stainless Steel
- Pump Casing Outlet	301 Stainless Steel	- Base	304 Stainless Steel
- Pump Seal (stationary)	Silicon Carbide		

NO-LEAD: The weighted average of the wetted surface of this no-lead product contacted by consumable water contains less than one quarter of one percent (0.25%) lead.



**A.Y. McDonald Mfg. Co.**  
4800 Chavenelle Rd  
Dubuque, IA 52002

**Toll Free: 1-800-292-2737**  
sales@aymcdonald.com  
aymcdonald.com

A.Y. McDonald considers the information on this assembly drawing correct when published. Item and option availability, including specifications, are subject to change without notice.

**Submitted by:**