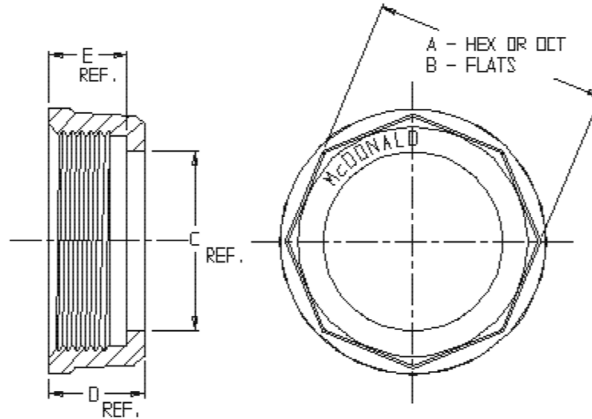


# SUBMITTAL DATA SHEET

## Meter Swivel Nuts



SIZE	BLACK PART NUMBER	GALVANIZED PART NUMBER	A	B	C	D	E
5LT	4815-671	4815-673	DCT	1.33	.88	.71	.59
10LT	4815-501	4815-517	DCT	1.63	1.16	.71	.56
20LT	4815-507	4815-523	DCT	2.00	1.42	.81	.66
30LT	4815-543	4815-557	DCT	2.22	1.69	.91	.73
1A	4815-513	4815-529	HEX	1.88	1.34	.84	.67
Ø EMCO	4815-564	4815-574	HEX	1.88	1.34	.88	.69
45LT	4815-586	4815-576	DCT	2.50	1.94	.97	.78
#3/#4	4815-624	4815-626	DCT	2.80	2.02	1.00	.78
60LT	4815-830	4815-832	DCT	2.64	1.94	.97	.78
5A	4815-806	4815-808	DCT	3.75	2.97	1.44	1.14
100LT	4815-700	4815-702	DCT	3.45	2.44	1.19	.94

### SUBMITTAL INFORMATION

- Iron castings conform to ASTM A47 or ASTM A536 (latest revision), with optional galvanized coating
- Threads manufactured in compliance with ANSI B109.1 (latest revision)



**A.Y. McDonald Mfg. Co.**  
4800 Chavenelle Rd  
Dubuque, IA 52002

**Toll Free: 1-800-292-2737**  
[sales@aymcdonald.com](mailto:sales@aymcdonald.com)  
[aymcdonald.com](http://aymcdonald.com)

A.Y. McDonald considers the information on this assembly drawing correct when published. Item and option availability, including specifications, are subject to change without notice.

**Submitted by:**