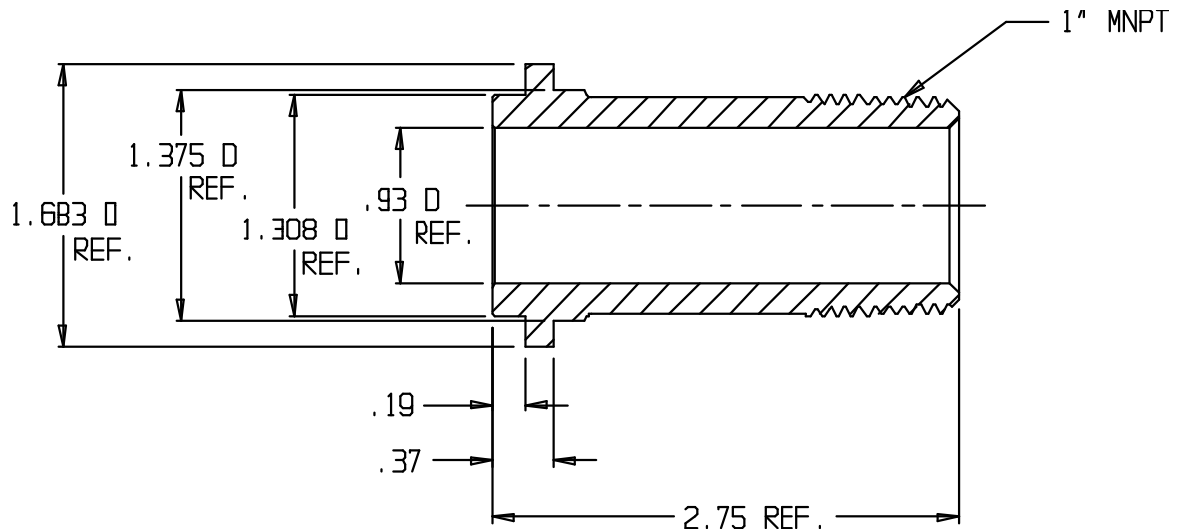


SUBMITTAL DATA SHEET

Gas Non-Insulated Straight Swivel

MNPT x 20LT



SUBMITTAL INFORMATION

- Rated for natural, manufactured, or LP Gas
- Iron castings conform to ASTM A47 or ASTM A536 (latest revision), with optional galvanized coating
- Pipe threads manufactured in compliance with ASME/ANSI B1.20.1 (latest revision)



A.Y. McDonald Mfg. Co.
4800 Chavenelle Rd
Dubuque, IA 52002

Toll Free: 1-800-292-2737
sales@aymcdonald.com
aymcdonald.com

A.Y. McDonald considers the information on this assembly drawing correct when published. Item and option availability, including specifications, are subject to change without notice.

Submitted by: