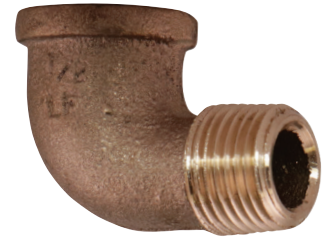
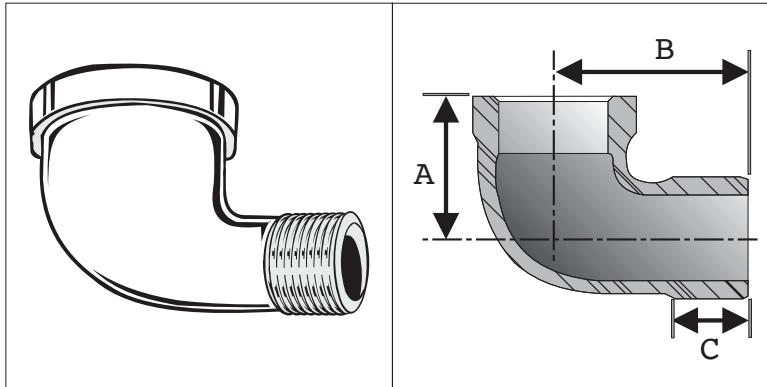


SUBMITTAL DATA SHEET

No-Lead
125LB Domestic Threaded Fittings
90° Street Elbow – 72291D



A.Y. McDonald Mfg. Co. Domestic Pipe Fittings are constructed from heavy duty brass and are rated for commercial, industrial and residential applications up to 125 WOG.



Part No.	Model No.	Size	Dimensions			Ctn Qty	Weight Per Pcs.
			A	B	C		
5429-100	72291D	1/4"	0.72	1.11	0.32	25	0.073
5429-101	72291D	3/8"	0.83	1.24	0.35	25	0.175
5429-102	72291D	1/2"	1.03	1.51	0.45	25	0.239
5429-103	72291D	3/4"	1.19	1.66	0.50	25	0.330
5429-104	72291D	1"	1.43	1.98	0.58	25	0.69
5429-105	72291D	1 1/4"	1.71	2.26	0.67	10	1.059
5429-106	72291D	1 1/2"	1.87	2.46	0.75	5	1.277
5429-107	72291D	2"	2.14	2.98	0.78	5	1.95

SUBMITTAL INFORMATION

- **Standards**
NSF / ANSI Standard 61-2012, AB1953,
ASTM B5841 UNS# C89833 (lead free),
ASTM B584 UNS# C86470 (lead free),
ANSI / ASME B16.15
ANSI / ASME B1.20.1
WW-P-460D
- **Markings** - Manufacturer's logo, Size, "LF"
- Country of Origin - USA

NO-LEAD: The weighted average of the wetted surface of this no-lead product contacted by consumable water contains less than one quarter of one percent (0.25%) lead.



A.Y. McDonald Mfg. Co.
4800 Chavenelle Rd
Dubuque, IA 52002

Toll Free: 1-800-292-2737
sales@aymcdonald.com
aymcdonald.com

A.Y. McDonald considers the information on this assembly drawing correct when published. Item and option availability, including specifications, are subject to change without notice.

Submitted by: