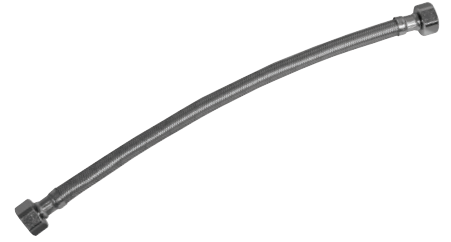


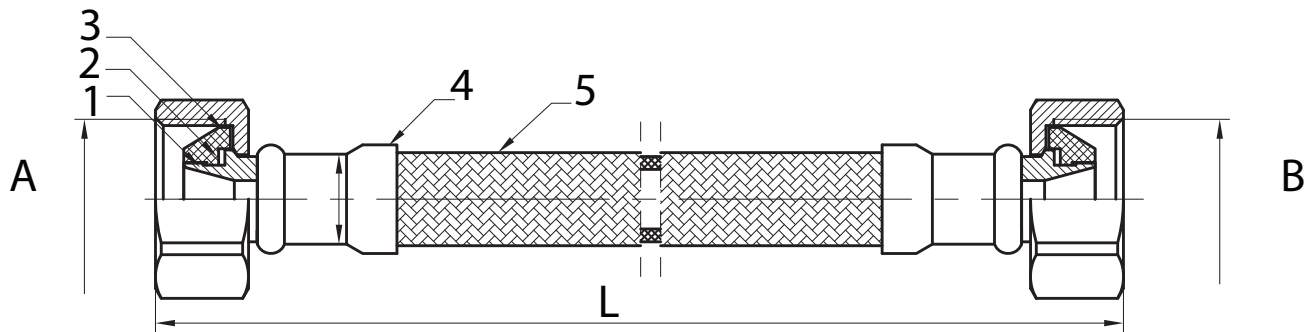
SUBMITTAL DATA SHEET

No-Lead
Stainless-Steel Faucet Hose
2107FFF

FNPT x FNPT



A.Y. McDonald's extensive line of plumbing products include stainless-steel supply hoses. These quality, braided, stainless-steel, water flex lines are the perfect choice for connecting the faucet, toilet, or appliance to the supply stop. These supply hoses are constructed with a durable, braided, stainless-steel material with nylon-reinforced vinyl tubing inside.



Materials

| No. | Part | Material |
|-----|---------------|---------------------|
| 1 | Insert | Brass |
| 2 | Washer | EPDM |
| 3 | Nut | Brass |
| 4 | Ferrule | Stainless-Steel |
| 5 | Tubing + Wire | PVC+Stainless-Steel |

Dimensions

| Size | L | A | B |
|-------------------|-----|-----------|-----------|
| 1/2" x 1/2" x 12" | 12" | 1/2" FNPT | 1/2" FNPT |
| 1/2" x 1/2" x 20" | 20" | 1/2" FNPT | 1/2" FNPT |

SUBMITTAL INFORMATION

- For use in potable water distribution systems
- Durable, flexible water connector requires no cutting or soldering during installation
- ASME A112.18.6-2009 / CSA B125.6-09 (R2014)



NO-LEAD: The weighted average of the wetted surface of this no-lead product contacted by consumable water contains less than one quarter of one percent (0.25%) lead.



A.Y. McDonald Mfg. Co.
4800 Chavenelle Rd
Dubuque, IA 52002

Toll Free: 1-800-292-2737
sales@aymcdonald.com
aymcdonald.com

A.Y. McDonald considers the information on this assembly drawing correct when published. Item and option availability, including specifications, are subject to change without notice.

Submitted by: