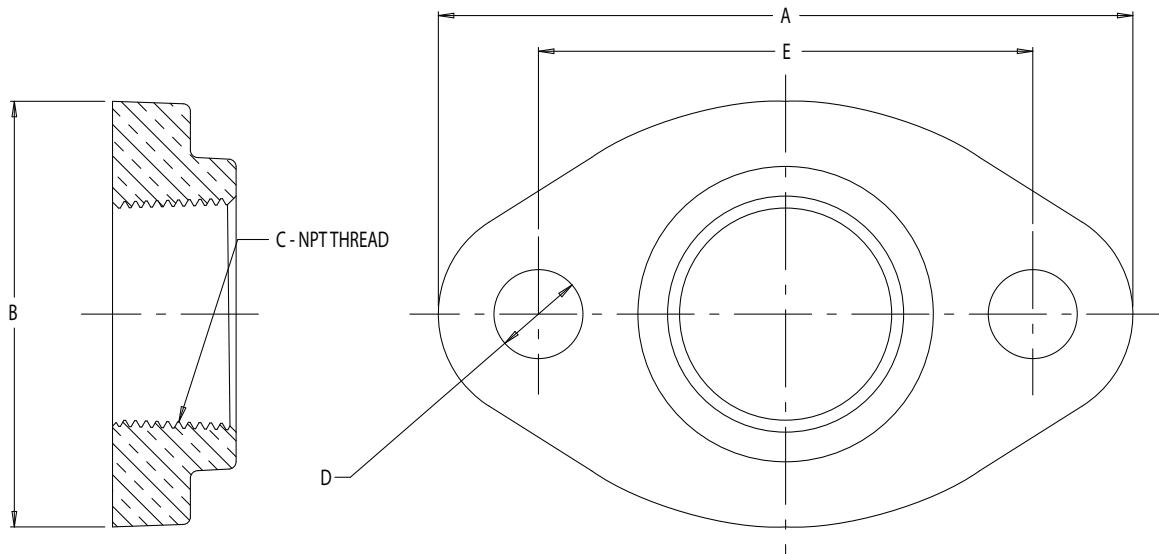


# SUBMITTAL DATA SHEET

Ductile Iron Meter Flange Kit – 609FKIT

FNPT



## Dimensions

Size	A	B	C	D	E
1 1/2"	5.75	3.62	1 1/2	0.72	4.00
2"	6.06	4.06	2	0.81	4.50

## SUBMITTAL INFORMATION

- Available Sizes: 1 1/2" and 2"
- Only sold as a "KIT"
- Each Kit Includes:
  - Two Oval Ductile Iron Flanges, which have two bolt holes (not NSF certified)
  - Two EPDM "Drop In" Gaskets that are NSF certified
  - Four Zinc Plated Bolts and Nuts



**A.Y. McDonald Mfg. Co.**  
 4800 Chavenelle Rd  
 Dubuque, IA 52002

**Toll Free: 1-800-292-2737**  
 sales@aymcdonald.com  
 aymcdonald.com

A.Y. McDonald considers the information on this assembly drawing correct when published. Item and option availability, including specifications, are subject to change without notice.

**Submitted by:**