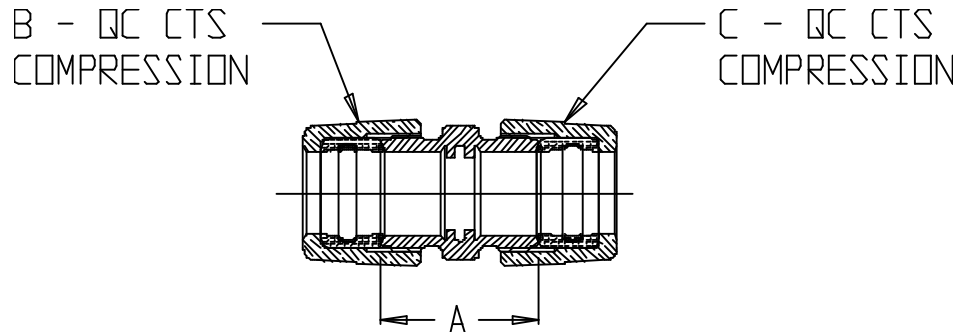


SUBMITTAL DATA SHEET

NL Service Fitting – 74758QC

QC CTS Compression x QC CTS Compression



MODEL NO.	SIZE	A	B	C
74758QC	1/2	1.93	1/2	1/2
74758QC	5/8	1.64	5/8	5/8
74758QC	1/2 X 5/8	1.79	1/2	5/8
74758QC	1/2 X 3/4	1.93	1/2	3/4
74758QC	5/8 X 3/4	1.79	5/8	3/4

SUBMITTAL INFORMATION

- Manufactured in compliance with ANSI/AWWA C800 (latest revision)
- Brass components in contact with potable water conform to ASTM B584, UNS C89833 (latest revision) and identified with “NL”
- Certified to NSF/ANSI 61 and NSF/ANSI 372
- Brass components not in contact with potable water conform to ASTM B62 and ASTM B584, UNS C83600 -85-5-5-5 (latest revision)
- Large wrench flats provided for proper installation
- Insert stiffeners required on all flexible plastic connections



A.Y. McDonald Mfg. Co.
4800 Chavenelle Rd
Dubuque, IA 52002

Toll Free: 1-800-292-2737
sales@aymcdonald.com
aymcdonald.com

A.Y. McDonald considers the information on this assembly drawing correct when published. Item and option availability, including specifications, are subject to change without notice.

Submitted by: