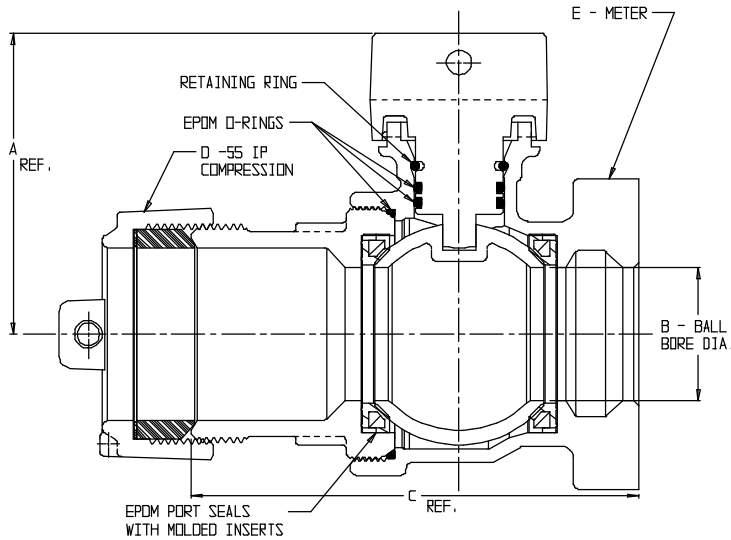


SUBMITTAL DATA SHEET

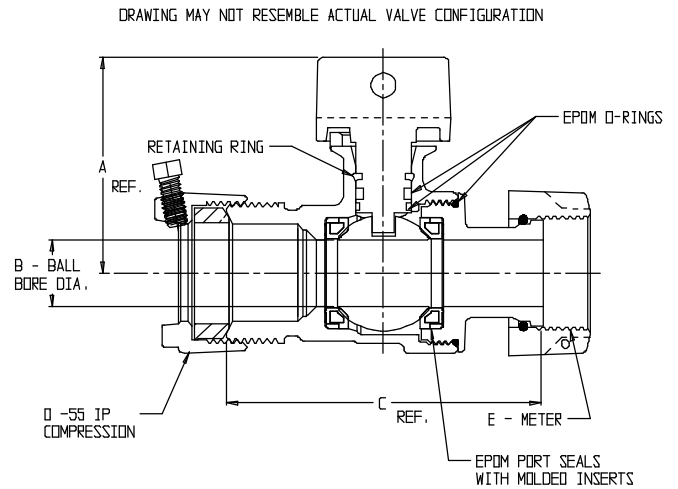
NL Ball Style Meter Stop – 76100M-55

-55 IP Compression x Meter



MODEL	SIZE	A	B	C	D	E
76100MW-55	1 1/2	3.40	1.50	5.05	1 1/2	1 1/2
76100MW-55	2	3.71	2.00	7.32	2	1 1/2 OR 2

NOTE: 1 1/2' & 2' HAVE TWO CLIP POINT SET SCREWS



MODEL NO.	SIZE	A	B	C	D	E
76100MN-55	3/4 X 3/4 X 5/8	2.33	.75	3.90	3/4	5/8
76100MM-55	3/4	2.43	.75	3.56	3/4	5/8 X 3/4, 3/4
76100MW-55	1	2.65	1.00	4.77	1	1

SUBMITTAL INFORMATION

- Manufactured in compliance with ANSI/AWWA C800 (latest revision)
- Brass components in contact with potable water conform to ASTM B584, UNS C89833 (latest revision) and identified with "NL"
- Certified to NSF/ANSI 61 and NSF/ANSI 372
- Brass components not in contact with potable water conform to ASTM B62 and ASTM B584, UNS C83600 -85-5-5-5 (latest revision)
- PTFE coated brass ball
- Valve rated for 300 PSIG water pressure, end connections not to exceed rated pipe pressures.
- Blow out proof EPDM port seals
- End piece joint sealed with an EPDM o-ring and thread locker



A.Y. McDonald Mfg. Co.
4800 Chavenelle Rd
Dubuque, IA 52002

Toll Free: 1-800-292-2737
sales@aymcdonald.com
aymcdonald.com

A.Y. McDonald considers the information on this assembly drawing correct when published. Item and option availability, including specifications, are subject to change without notice.

Submitted by: