

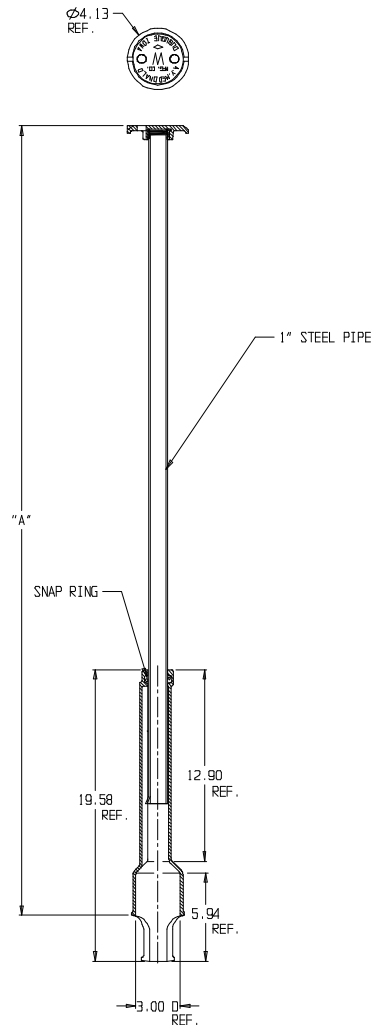
SUBMITTAL DATA SHEET

Curb Boxes – 5601ALR

Arch Pattern – Erie Pattern



| MODEL | "A" RANGE |
|---------------|------------------|
| 5601ALR 2 1/2 | 1 1/2' TO 2 1/2' |
| 5601ALR 3 | 2' TO 3' |
| 5601ALR 3 1/2 | 2 1/2' TO 3 1/2' |
| 5601ALR 4 | 3' TO 4' |
| 5601ALR 4 1/2 | 3 1/2' TO 4 1/2' |
| 5601ALR 5 | 4' TO 5' |
| 5601ALR 5 1/2 | 4 1/2' TO 5 1/2' |
| 5601ALR 6 | 5' TO 6' |
| 5601ALR 6 1/2 | 5 1/2' TO 6 1/2' |
| 5601ALR 7 | 6' TO 7' |
| 5601ALR 7 1/2 | 6 1/2' TO 7 1/2' |
| 5601ALR 8 | 7' TO 8' |
| 5601ALR 8 1/2 | 7 1/2' TO 8 1/2' |



SUBMITTAL INFORMATION

- Brass components conform to ASTM B62 and ASTM B584, UNS C83600 -85-5-5-5 (latest revision)
- Lid and Base made of Cast Iron per ASTM A48, Class 25
- Upper Section made of steel pipe
- Coated with black dip
- Made in USA



A.Y. McDonald Mfg. Co.
4800 Chavenelle Rd
Dubuque, IA 52002

Toll Free: 1-800-292-2737
sales@aymcdonald.com
aymcdonald.com

A.Y. McDonald considers the information on this assembly drawing correct when published. Item and option availability, including specifications, are subject to change without notice.

Submitted by: