

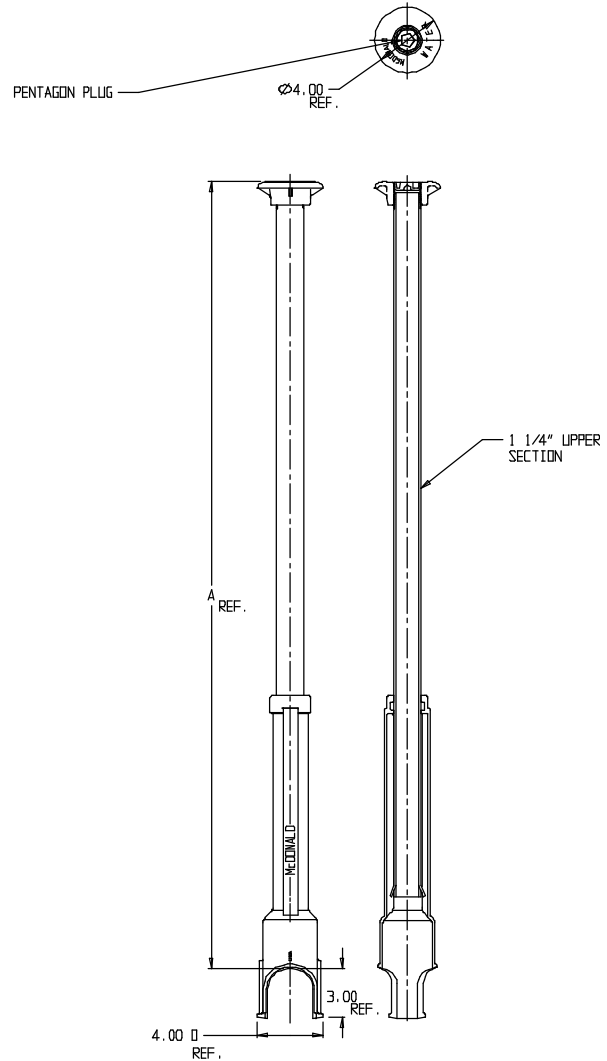
SUBMITTAL DATA SHEET

Curb Boxes - 5604

Arch Pattern



MODEL	SIZE	A-RANGE
5604	2 1/2	1 1/2' TO 2 1/2'
5604	3	2' TO 3'
5604	3 1/2	2 1/2' TO 3 1/2'
5604	4	3' TO 4'
5604	4 1/2	3 1/2' TO 4 1/2'
5604	5	4' TO 5'
5604	5 1/2	4 1/2' TO 5 1/2'
5604	6	5' TO 6'
5604	6 1/2	5 1/2' TO 6 1/2'
5604	7	6' TO 7'
5604	7 1/2	6 1/2' TO 7 1/2'
5604	8	7' TO 8'
5604	10	9' TO 10'



SUBMITTAL INFORMATION

- Brass components not in contact with potable water conform to ASTM B62 and ASTM B584, UNS C83600 -85-5-5-5 (latest revision) or ASTM B584, UNS C84400 -81-3-7-9 (latest revision)
- Lid and Base made of Cast Iron per ASTM A48, Class 25
- Upper Section made of steel pipe
- Coated with black dip



A.Y. McDonald Mfg. Co.
4800 Chavenelle Rd
Dubuque, IA 52002

Toll Free: 1-800-292-2737
sales@aymcdonald.com
aymcdonald.com

A.Y. McDonald considers the information on this assembly drawing correct when published. Item and option availability, including specifications, are subject to change without notice.

Submitted by: