

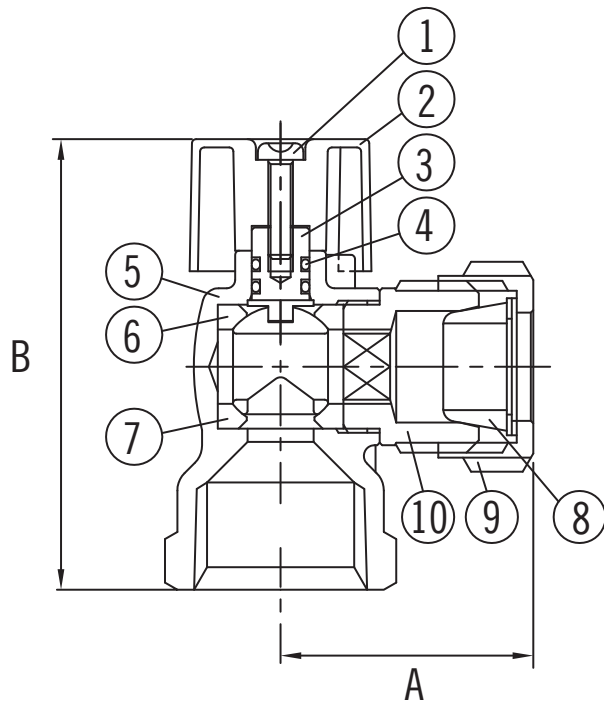
# SUBMITTAL DATA SHEET

No-Lead  
Angle Quarter Turn Supply Stop – 72082M

FNPT x Slip Joint



A.Y. McDonald Mfg. Co. No-Lead Quarter Turn Supply Stops are compact, so they are easy to use in tight spaces. The ball valve design allows for ease of operation and positive shutoff, and is ideal for residential and commercial applications. They are designed to shut off the flow of water, without having to turn off the water to the entire house.



Part No.	Model No.	Size	A	B
5421-292	72082M	1/2" x 1/2"	1.22"	2.17"

No.	Part	Material
1	Handle Screw	Carbon Steel
2	Handle	Aluminum
3	Stem	No-Lead Brass (C46400)
4	O-Ring	Rubber (NBR)
5	Body	No-Lead Brass (C46400)
6	Ball Disc Packing	EPDM
7	Ball Disc	No-Lead Brass (C46400)
8	Slip Packing	Rubber (NBR)
9	Slip Nut	Brass (C36000)
10	End Plug	No-Lead Brass (C46400)

## SUBMITTAL INFORMATION

- Handle removes easily to help protect against accidental operation, during rough-ins
- Chrome plated body
- Temperature Rating: 41°F to 160°F
- Pressure Rating: 20 PSI - 125 PSI
- NSF/ANSI 61-8 & NSF/ANSI 372

NO-LEAD: The weighted average of the wetted surface of this no-lead product contacted by consumable water contains less than one quarter of one percent (0.25%) lead.



**A.Y. McDonald Mfg. Co.**  
4800 Chavenelle Rd  
Dubuque, IA 52002

**Toll Free: 1-800-292-2737**  
sales@aymcdonald.com  
aymcdonald.com

A.Y. McDonald considers the information on this assembly drawing correct when published. Item and option availability, including specifications, are subject to change without notice.

**Submitted by:**