

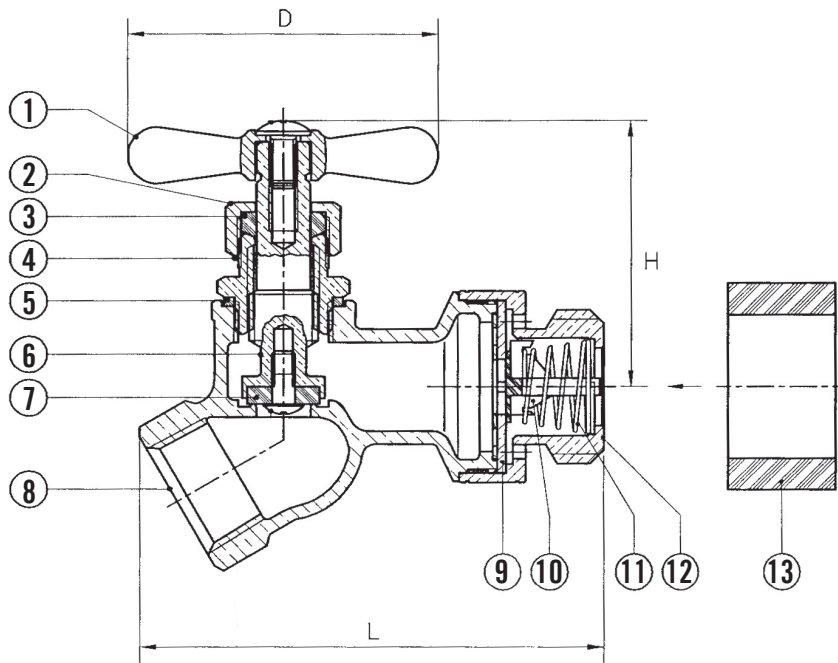
# SUBMITTAL DATA SHEET

## No-Lead Low Pressure Valves No-Kink Hose Bibb with Vacuum Breaker – 72006VB

FNPT X MGHT



A.Y. McDonald Mfg. Co. No-Lead Low Pressure Valves are constructed from heavy duty no-lead brass and are recommended for residential and commercial applications and positive shut-off with various inlet configurations.



### Dimensions

Part No.	Model No.	Size	D	H	L
5427-216	72006VB	1/2" x 3/4"	2.13	1.83	3.17
5427-217	72006VB	3/4" x 3/4"	2.13	1.83	3.25

### Materials

No.	Part	Material
1	T-Handle	Zinc
2	Packing Nut	No-Lead Brass (C37700)
3	Packing	Teflon
4	Bonnet	No-Lead Brass (C46400)
5	Packing	Formocon
6	Stem	No-Lead Brass (C46400)
7	Seat Packing	Rubber (NBR)
8	Body	No-Lead Brass (C46400 MOD)
9	Packing	Rubber (NBR)
10	Spring Seat	Formocon
11	Spring	Stainless-Steel (304)
12	Hose Body	No-Lead Brass (C46400)
13	Thread Protector	Polyone

### SUBMITTAL INFORMATION

- Available Sizes: 1/2" and 3/4"
- Temperature Rating: 180°F
- Pressure Rating: 125 PSI
- ANSI/ASME B1.20.1 Thread
- Vacuum breakers prevent water from being siphoned backward and protects water supplies from harmful contaminants. Also, it is not removable, to deter theft.



Meets the Requirements of  
NSF/ANSI/CAN 61-8/372

NO-LEAD: The weighted average of the wetted surface of this no-lead product contacted by consumable water contains less than one quarter of one percent (0.25%) lead.



**A.Y. McDonald Mfg. Co.**  
4800 Chavenelle Rd  
Dubuque, IA 52002

**Toll Free: 1-800-292-2737**  
sales@aymcdonald.com  
aymcdonald.com

A.Y. McDonald considers the information on this assembly drawing correct when published. Item and option availability, including specifications, are subject to change without notice.

Submitted by: