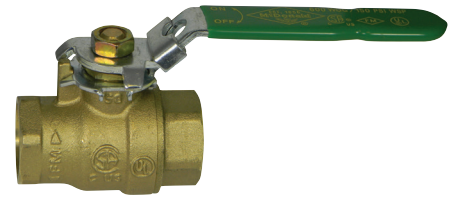


# SUBMITTAL DATA SHEET

Full Port Ball Valves with Locking Handle – 2032TL

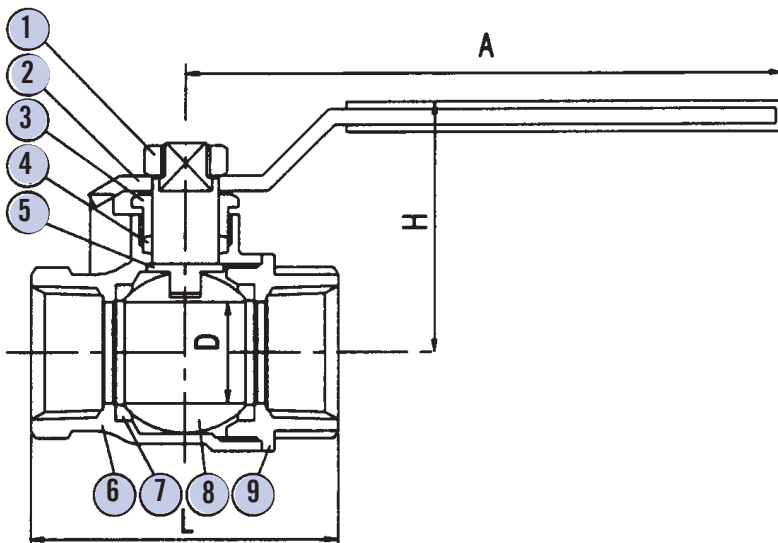
FNPT X FNPT



A.Y. McDonald Mfg. Co. Ball Valves are constructed of heavy duty brass and can be used with a full range of liquids and gases in commercial, industrial and residential applications. Full Port valves allow for maximum flow with minimum pressure drop.

## Dimensions

Part No.	Model No.	Size	L	H	D	A
4421-242	2032TL	1/2"	1.99	1.52	0.50	3.28
4421-243	2032TL	3/4"	2.34	1.95	0.78	4.60
4421-244	2032TL	1"	0.85	2.11	0.98	4.60
4421-245	2032TL	1 1/4"	3.28	2.57	1.25	5.23
4421-246	2032TL	1 1/2"	3.59	2.73	1.48	5.23
4421-247	2032TL	2"	4.17	3.43	1.95	7.80



## Materials

No.	Part	Material
1	Nut	Steel
2	Handle	Steel
3	Stem Gland Screw	Brass
4	Stem Packing	Teflon
5	Stem	Brass
6	Body	Brass
7	Ball Disc Packing	Teflon
8	Ball	Chrome Plated Brass
9	End Plug	Forged Brass

## SUBMITTAL INFORMATION

- 600 WOG
- 150 WSP
- Available Sizes: 1/2" - 2"
- Blowout proof stem
- Threads conform to ANSI B1.20.1
- Lockable handle
- Padlock not included



Non-Potable Use Only



**A.Y. McDonald Mfg. Co.**  
4800 Chavenelle Rd  
Dubuque, IA 52002

**Toll Free: 1-800-292-2737**  
sales@aymcdonald.com  
aymcdonald.com

A.Y. McDonald considers the information on this assembly drawing correct when published. Item and option availability, including specifications, are subject to change without notice.

Submitted by: