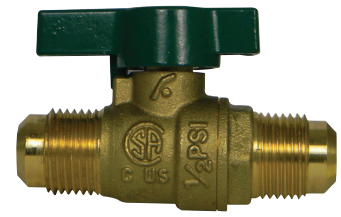


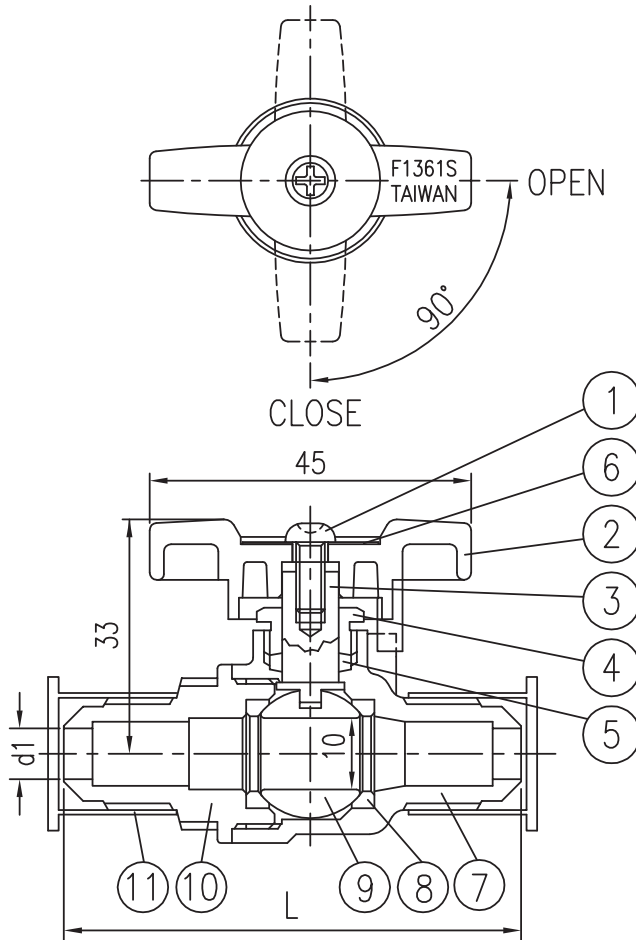
SUBMITTAL DATA SHEET

Gas (only) Ball Valves – 10714

Flare x Flare



A.Y. McDonald Mfg. Co. Gas Ball Valves are constructed of heavy duty forged brass. They are designed for residential, commercial, and industrial use in low pressure gas applications. Valves listed are suitable for use with natural, manufactured, mixed and LP gases and with LP gas - air mixtures.



Dimensions

Part No.	Model No.	Size	L	d1
4901-121	10714	3/8" x 3/8"	2.52	0.28
4901-122	10714	1/2" x 1/2"	2.64	0.39

Materials

No.	Part	Material
1	Screw	Steel
2	Handle	Zinc Alloy
3	Stem	Brass
4	Stem Gland Screw	Brass
5	Gland Packing	Teflon
6	Name Plate	Aluminum
7	Body	Brass
8	Ball Disc Packing	Teflon
9	Ball Disc	Brass
10	End Plug	Brass
11	Thread Cover	Plastic

SUBMITTAL INFORMATION

- Available Sizes: 3/8" x 3/8" and 1/2" x 1/2"
- Ambient working temp. = -40°F to 125°F
- Quarter turn operation
- 2-piece forged brass body
- Blowout proof stem



Non-Potable Use Only



A.Y. McDonald Mfg. Co.
4800 Chavenelle Rd
Dubuque, IA 52002

Toll Free: 1-800-292-2737
sales@aymcdonald.com
aymcdonald.com

A.Y. McDonald considers the information on this assembly drawing correct when published. Item and option availability, including specifications, are subject to change without notice.

Submitted by: