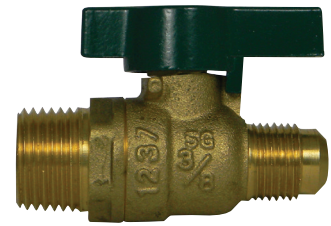


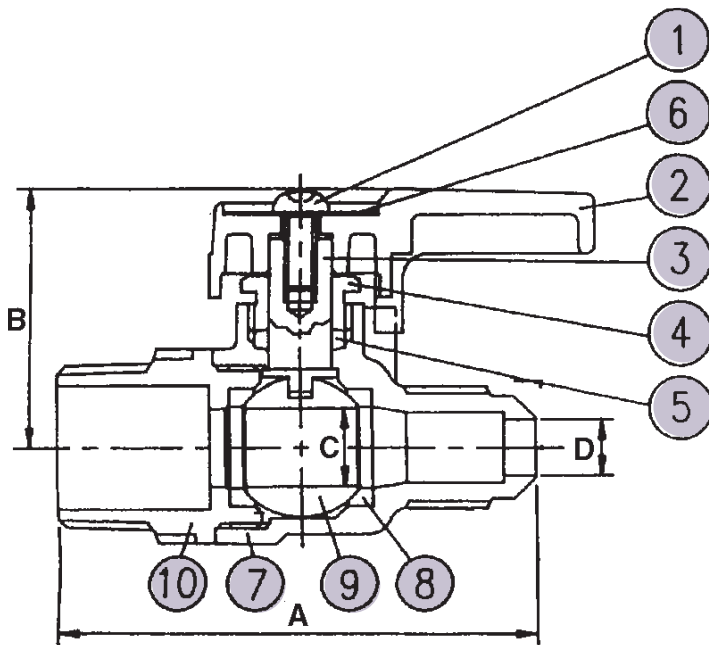
# SUBMITTAL DATA SHEET

Gas (only) Ball Valves – 10716

MNPT x Flare



A.Y. McDonald Mfg. Co. Gas Ball Valves are constructed of heavy duty forged brass. They are designed for residential, commercial, and industrial use in low pressure gas applications. Valves listed are suitable for use with natural, manufactured, mixed and LP gases and with LP gas - air mixtures.



## Dimensions

Part No.	Model No.	Size	A	B	C	D
4901-131	10716	1/2" x 3/8"	2.34	1.29	.39	.27
4901-132	10716	1/2" x 1/2"	2.38	1.29	.39	.39

## Materials

No.	Part	Material
1	Screw	Steel
2	Handle	Zinc Alloy
3	Stem	Brass
4	Stem Gland Screw	Brass
5	Gland Packing	Teflon
6	Name Plate	Aluminum
7	Body	Brass
8	Ball Disc	Teflon
9	Ball	Chrome Plated Brass
10	End Plug	Forged Brass

## SUBMITTAL INFORMATION

- Available Sizes: 1/2" x 3/8" and 1/2" x 1/2"
- Ambient working temp. = -40°F to 125°F
- Quarter turn operation

- 2-piece forged brass body
- Blowout proof stem



Non-Potable Use Only



**A.Y. McDonald Mfg. Co.**  
4800 Chavenelle Rd  
Dubuque, IA 52002

**Toll Free: 1-800-292-2737**  
sales@aymcdonald.com  
aymcdonald.com

A.Y. McDonald considers the information on this assembly drawing correct when published. Item and option availability, including specifications, are subject to change without notice.

Submitted by: