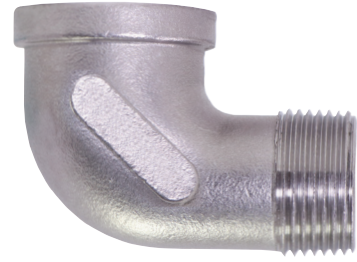
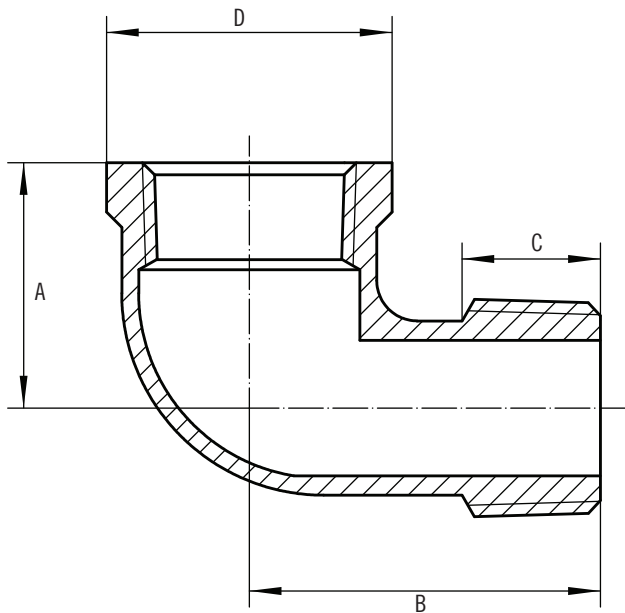


SUBMITTAL DATA SHEET

Stainless-Steel Threaded Fitting 90° Street Elbow – 2291SS



A.Y. McDonald Mfg. Co. Pipe Fittings are constructed from 304 stainless-steel and are rated for commercial, industrial and residential applications up to 150 PSI. Threads conform to MSS-SP114 standards and specifications.



Part No.	Model No.	Size	Dimensions A	Dimensions B	Dimensions C	Dimensions D	Carton Qty	Weight Per Pcs.
4428-024	2291SS	1/8"	.81	1.06	.26	.75	100	.07
4428-025	2291SS	1/4"	.81	1.18	.40	.84	50	.10
4428-026	2291SS	3/8"	.93	1.43	.41	1.01	40	.15
4428-027	2291SS	1/2"	1.12	1.62	.53	1.20	15	.24
4428-028	2291SS	3/4"	1.31	1.87	.55	1.46	10	.40
4428-029	2291SS	1"	1.50	2.12	.68	1.77	25	.67
4428-030	2291SS	1 1/4"	1.75	2.50	.71	2.15	10	1.05
4428-031	2291SS	1 1/2"	1.93	2.75	.72	2.43	10	1.37
4428-032	2291SS	2"	2.25	3.25	.76	2.96	4	2.39

SUBMITTAL INFORMATION

- **Material**
304 Stainless-Steel
- **Rated**
150 PSI max pressure
- **Fitting Dimensions**
MSS SP-114

NO-LEAD: The weighted average of the wetted surface of this no-lead product contacted by consumable water contains less than one quarter of one percent (0.25%) lead.



A.Y. McDonald Mfg. Co.
4800 Chavenelle Rd
Dubuque, IA 52002

Toll Free: 1-800-292-2737
sales@aymcdonald.com
aymcdonald.com

A.Y. McDonald considers the information on this assembly drawing correct when published. Item and option availability, including specifications, are subject to change without notice.

Submitted by: