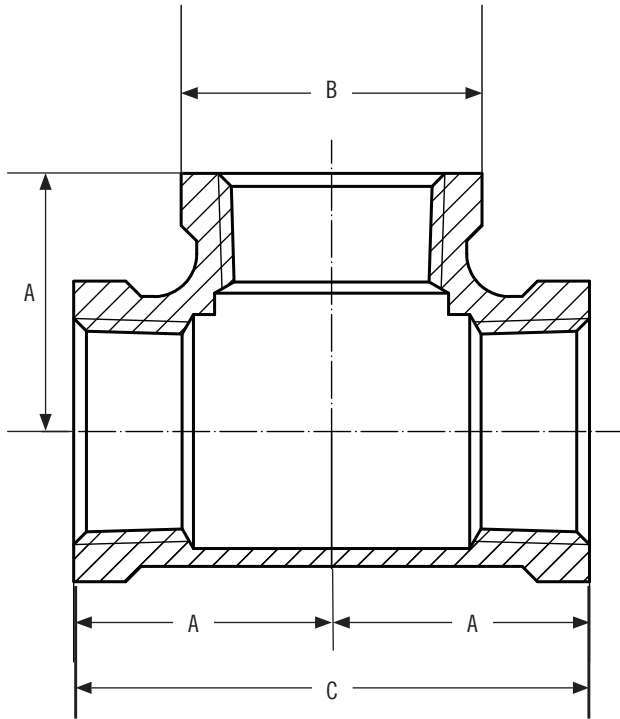


SUBMITTAL DATA SHEET

Stainless-Steel Threaded Fitting
Tee – 2230SS



A.Y. McDonald Mfg. Co. Pipe Fittings are constructed from 304 stainless-steel and are rated for commercial, industrial and residential applications up to 150 PSI. Threads conform to MSS-SP114 standards and specifications.



Part No.	Model No.	Size	Dimensions A	Dimensions B	Dimensions C	Carton Qty	Weight Per Pcs.
4428-036	2230SS	1/8"	.81	.75	1.62	50	.13
4428-037	2230SS	1/4"	.81	.84	1.62	30	.15
4428-038	2230SS	3/8"	.93	1.01	1.86	15	.22
4428-039	2230SS	1/2"	1.12	1.20	2.24	40	.36
4428-040	2230SS	3/4"	1.31	1.46	2.62	50	.59
4428-041	2230SS	1"	1.50	1.77	3.00	15	.93
4428-042	2230SS	1 1/4"	1.75	2.15	3.50	10	1.33
4428-043	2230SS	1 1/2"	1.93	2.43	3.86	8	1.79
4428-044	2230SS	2"	2.25	2.96	4.50	8	2.04
4428-046	2230SS	3"	3.06	4.00	6.12	3	7.47

SUBMITTAL INFORMATION

- **Material**
304 Stainless-Steel
- **Rated**
150 PSI max pressure
- **Fitting Dimensions**
MSS SP-114

NO-LEAD: The weighted average of the wetted surface of this no-lead product contacted by consumable water contains less than one quarter of one percent (0.25%) lead.



A.Y. McDonald Mfg. Co.
4800 Chavenelle Rd
Dubuque, IA 52002

Toll Free: 1-800-292-2737
sales@aymcdonald.com
aymcdonald.com

A.Y. McDonald considers the information on this assembly drawing correct when published. Item and option availability, including specifications, are subject to change without notice.

Submitted by: