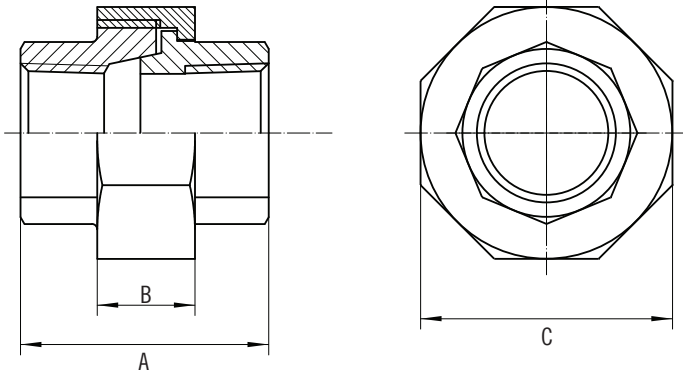


SUBMITTAL DATA SHEET

Stainless-Steel Threaded Fitting Union – 2220SS



A.Y. McDonald Mfg. Co. Pipe Fittings are constructed from 304 stainless-steel and are rated for commercial, industrial and residential applications up to 150 PSI. Threads conform to MSS-SP114 standards and specifications.



Part No.	Model No.	Size	Dimensions A	Dimensions B	Dimensions C	Carton Qty	Weight Per Pcs.
4428-096	2220SS	1/8"	1.26	.59	.93	50	.19
4428-097	2220SS	1/4"	1.44	.59	1.1	30	.29
4428-098	2220SS	3/8"	1.61	.59	1.26	20	.38
4428-099	2220SS	1/2"	1.72	.61	1.45	10	.52
4428-100	2220SS	3/4"	1.94	.65	1.71	30	.60
4428-101	2220SS	1"	2.06	.71	2.07	20	1.06
4428-102	2220SS	1 1/4"	2.26	.85	2.50	10	1.56
4428-103	2220SS	1 1/2"	2.41	.87	2.82	7	1.88
4428-104	2220SS	2"	2.75	1.02	3.41	5	3.06
4428-105	2220SS	2 1/2"	3.22	1.14	4.12	2	5.34
4428-106	2220SS	3"	3.50	1.26	4.75	3	5.05

SUBMITTAL INFORMATION

- **Material**
304 Stainless-Steel
- **Rated**
150 PSI max pressure
- **Fitting Dimensions**
MSS SP-114

NO-LEAD: The weighted average of the wetted surface of this no-lead product contacted by consumable water contains less than one quarter of one percent (0.25%) lead.



A.Y. McDonald Mfg. Co.
4800 Chavenelle Rd
Dubuque, IA 52002

Toll Free: 1-800-292-2737
sales@aymcdonald.com
aymcdonald.com

A.Y. McDonald considers the information on this assembly drawing correct when published. Item and option availability, including specifications, are subject to change without notice.

Submitted by: