

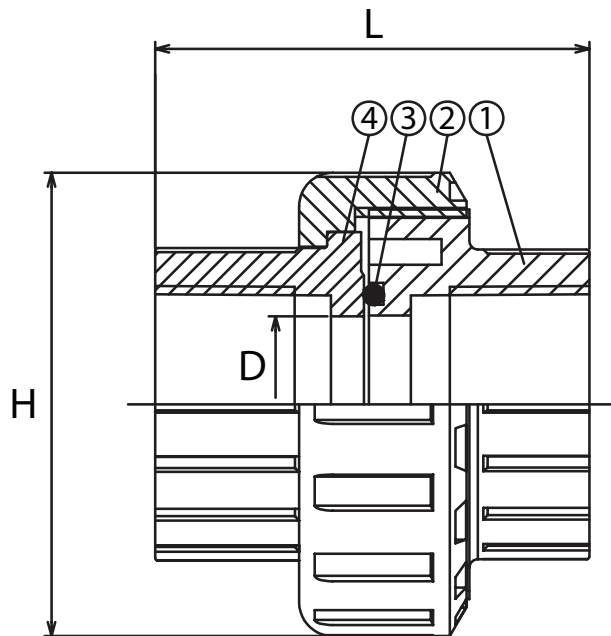
# SUBMITTAL DATA SHEET

PVC Union – 2070T

FNPT x FNPT



A.Y. McDonald Mfg. Co. PVC Fittings feature convenience of operation with excellent flow characteristics. A PVC union is used to join two pieces of pipe. Unlike couplings, unions use a gasket seal to create a removable connection between pipe.



## Dimensions

Part No.	Model No.	Size	L	D	H
4421-167	2070T	1/2"	2.16	.59	2.07
4421-168	2070T	3/4"	2.51	.78	2.40
4421-169	2070T	1"	2.83	.98	2.79
4421-170	2070T	1 1/4"	3.03	1.25	3.26
4421-171	2070T	1 1/2"	3.38	1.57	3.77
4421-172	2070T	2"	3.74	1.96	4.56

## Materials

No.	Part	Material
1	Body	PVC
2	Union Nut	PVC
3	O-ring	EPDM
4	Union End	PVC

## SUBMITTAL INFORMATION

- Schedule 80
- Available Sizes: 1/2", 3/4", 1", 1 1/4", 1 1/2" and 2"
- Fits schedule 40 and 80 PVC pipe

### Temperature Ratings:

- 150 PSI at 73°F
- 50 PSI at 140°F

NO-LEAD: The weighted average of the wetted surface of this no-lead product contacted by consumable water contains less than one quarter of one percent (0.25%) lead.



**A.Y. McDonald Mfg. Co.**  
4800 Chavenelle Rd  
Dubuque, IA 52002

**Toll Free: 1-800-292-2737**  
sales@aymcdonald.com  
aymcdonald.com

A.Y. McDonald considers the information on this assembly drawing correct when published. Item and option availability, including specifications, are subject to change without notice.

**Submitted by:**