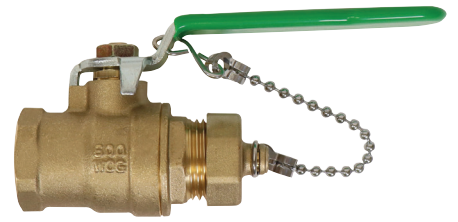


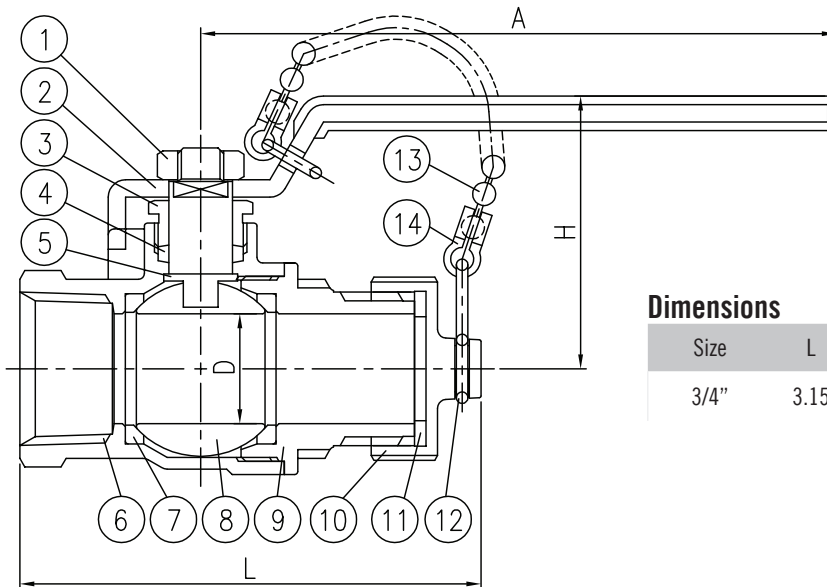
SUBMITTAL DATA SHEET

Full Port Ball Valve with Cap and Chain – 2032TC

FNPT x MGHT



A.Y. McDonald Mfg. Co. carries a full line of Ball Valves that are constructed of heavy duty brass and can be used with a full range of liquids and gases in commercial, industrial and residential applications. Full Port valves allow for maintenance flow with minimum pressure drop.



Dimensions

Size	L	H	D	A
3/4"	3.15	1.85	0.75	4.33

Materials

No.	Part	Material	No.	Part	Material
1	Nut	Steel	8	Ball Disc	Brass (C36000)
2	Lever Handle	Steel	9	End Plug	Brass (C37700)
3	Stem Gland Screw	Brass	10	Cap Nut	Brass (C37700)
4	Stem Packing	PTFE	11	Nut Packing	NBR
5	Stem	Brass	12	Ring	Stainless-Steel
6	Body	Brass (C37700)	13	Chain	Brass
7	Ball Disc Packing	PTFE	14	Plate	Stainless-Steel

SUBMITTAL INFORMATION

- Available Sizes: 3/4"
- 600 WOG
- Cap protects the hose threads
- 150 WSP



Non-Potable Use
Only



A.Y. McDonald Mfg. Co.
4800 Chavenelle Rd
Dubuque, IA 52002

Toll Free: 1-800-292-2737
sales@aymcdonald.com
aymcdonald.com

A.Y. McDonald considers the information on this assembly drawing correct when published. Item and option availability, including specifications, are subject to change without notice.

Submitted by: