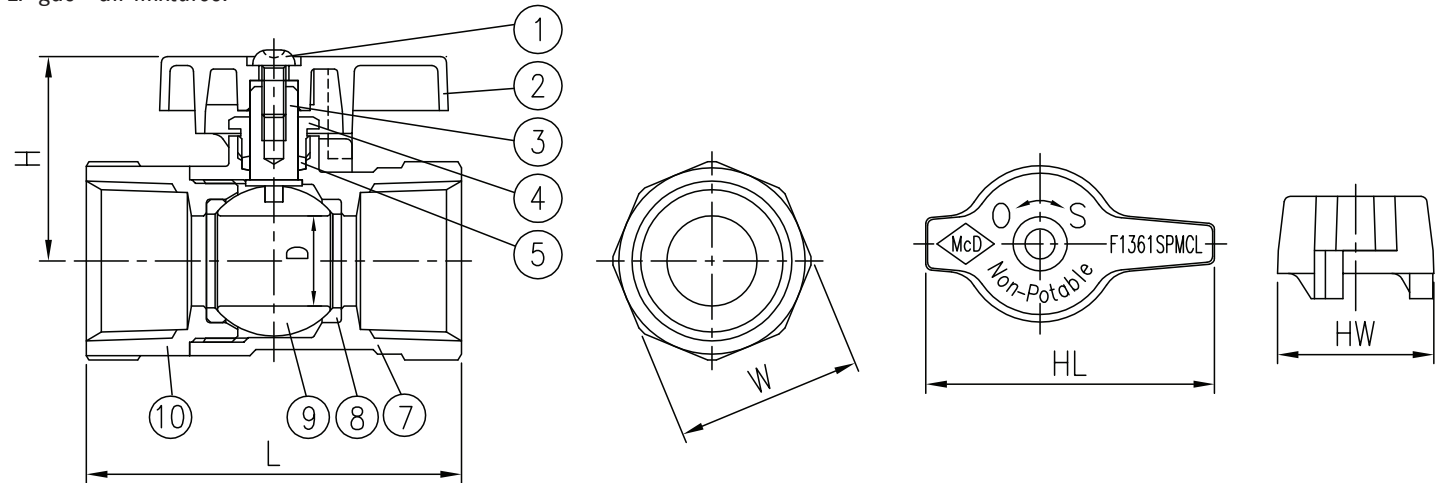
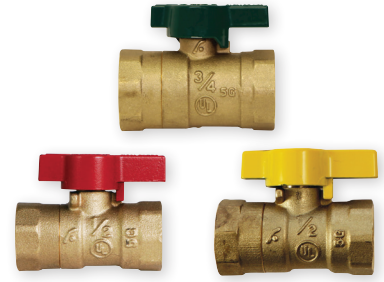


# SUBMITTAL DATA SHEET

Gas (only) Ball Valves – 10710, 10710R & 10710Y  
(Sizes 3/8", 1/2", 3/4" and 1")

FNPT x FNPT



## Dimensions

Part No.	Model No.	Size	L	H	D	W	HW	HL
4901-160	10710	3/8"	1.81"	1.22"	0.39"	0.79"	1.02"	1.89"
4901-110	10710							
4901-154	10710R	1/2"	2.17"	1.22"	0.39"	1.00"	1.02"	1.89"
4901-161	10710Y							
4901-111	10710							
4901-155	10710R	3/4"	2.44"	1.34"	0.59"	1.22"	1.02"	1.89"
4901-162	10710Y							
4901-112	10710							
4901-156	10710R	1"	2.80"	1.54"	0.75"	1.50"	1.26"	2.60"
4901-163	10710Y							

## Materials

No.	Part	Material
1	Screw	Steel-AISI 1010
2	Handle	Aluminum
3	Stem	Brass ASTM B16 - C36000
4	Stem Gland Screw	Brass ASTM B16 - C36000
5	Gland Packing	Teflon
7	Body	Brass ASTM B124 - C37700
8	Ball Disc Packing	Teflon
9	Ball	Brass ASTM B124 - C37700 or Brass ASTM B16 - C36000
10	End Plug	Brass ASTM B124 - C37700

## SUBMITTAL INFORMATION

- Available 10710 Sizes: 3/8", 1/2", 3/4" and 1"
- Available 10710R and 10710Y Sizes: 1/2", 3/4" and 1"
- Capable of operation at ambient temperatures between -40°F and 125°F and at pressures up to 2 psig or 5 psig
- Quarter turn operation
- 2-piece forged brass body
- Blowout proof stem
- Conforms to MSS-SP-110
- Thread comply to ANSI B1.20.1

- CSA Certified 3-88 5 PSIG
- UL Listed:  
MHKZ.MH15973 - Manual Valves  
YRBX.MH15973 - Flammable Liquid Shutoff Valves  
YRPV.MH15973 - Gas Shutoff Valves  
YSDT.MH15973 - LP-Gas Shutoff Valves



NO-LEAD: The weighted average of the wetted surface of this no-lead product contacted by consumable water contains less than one quarter of one percent (0.25%) lead.



**A.Y. McDonald Mfg. Co.**  
4800 Chavenelle Rd  
Dubuque, IA 52002

**Toll Free: 1-800-292-2737**  
sales@aymcdonald.com  
aymcdonald.com

A.Y. McDonald considers the information on this assembly drawing correct when published. Item and option availability, including specifications, are subject to change without notice.

Submitted by: