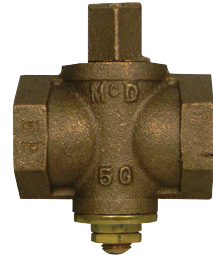


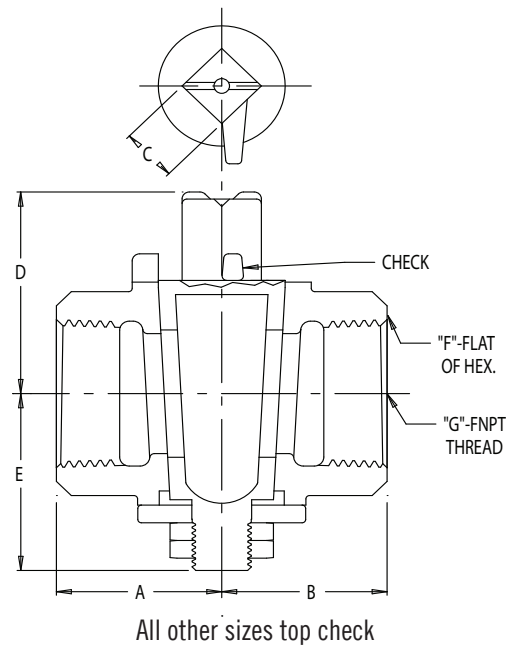
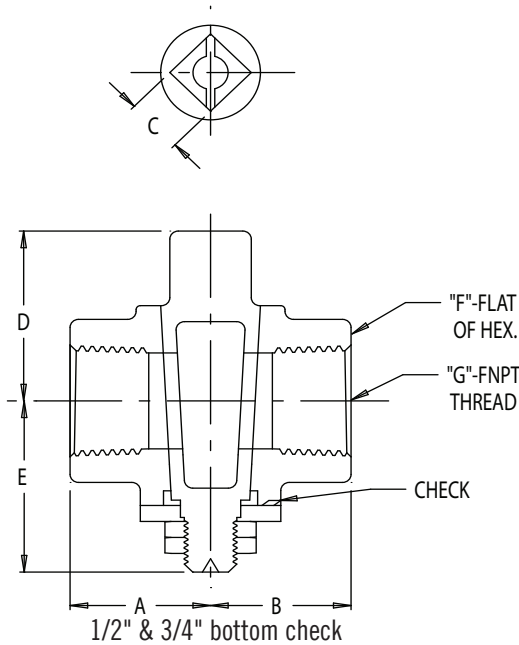
# SUBMITTAL DATA SHEET

Brass Low Pressure Gas Valve - Plug Style - Gas Only  
 Square Head with Check - Boston Pattern – 10584  
 (with double stake nut)

FNPT x FNPT



A.Y. McDonald Mfg. Co. low pressure natural or propane gas valves are for use indoors on house piping system, between the meter outlet and the inlet connection of the gas appliance. At ambient temperatures of 32 to 125 degrees Fahrenheit.



## Dimensions

Part No.	Model No.	Size	A	B	C	D	E	F	G
4215-197	10584	1/2"	1.00	1.00	.41	1.22	1.27	1.06	1/2
4215-199	10584	3/4"	1.16	1.16	.47	1.53	1.39	1.28	3/4

## Dimensions

Part No.	Model No.	Size	A	B	C	D	E	F	G
4212-159	10584	1"	1.38	1.38	.47	1.72	1.56	1.59	1
4212-160	10584	1 1/4"	1.61	1.61	.69	2.18	1.82	2.19	1 1/4
4212-161	10584	1 1/2"	2.20	2.20	.78	2.19	2.09	2.25	1 1/2
4212-162	10584	2"	2.18	2.18	1.00	2.57	2.31	2.75	2

## SUBMITTAL INFORMATION

- Available Sizes: 1/2", 3/4", 1", 1 1/4", 1 1/2", and 2"
  - 2 PSIG
  - Brass Body and Plug
  - Manually Operated
  - NOTE: All A.Y. McDonald plug style gas valves are factory set.
- DO NOT TAMPER WITH BOTTOM NUT.**

1/2" & 3/4" valves  
 manufactured to:



Non-Potable Use  
 Only

**WARNING:** It is unlawful in CALIFORNIA & VERMONT (effective 1/1/2010); MARYLAND (effective 1/1/2012); LOUISIANA (effective 1/1/2013) and the UNITED STATES OF AMERICA (effective 1/4/2014) to use THIS PRODUCT in the installation or repair of any public water system or any plumbing in a facility or system that provides water for human consumption. The wetted surface area of THIS PRODUCT has a weighted average lead content greater than 0.25%.



**A.Y. McDonald Mfg. Co.**  
 4800 Chavenelle Rd  
 Dubuque, IA 52002

**Toll Free: 1-800-292-2737**  
 sales@aymcdonald.com  
 aymcdonald.com

A.Y. McDonald considers the information on this assembly drawing correct when published. Item and option availability, including specifications, are subject to change without notice.

**Submitted by:**