

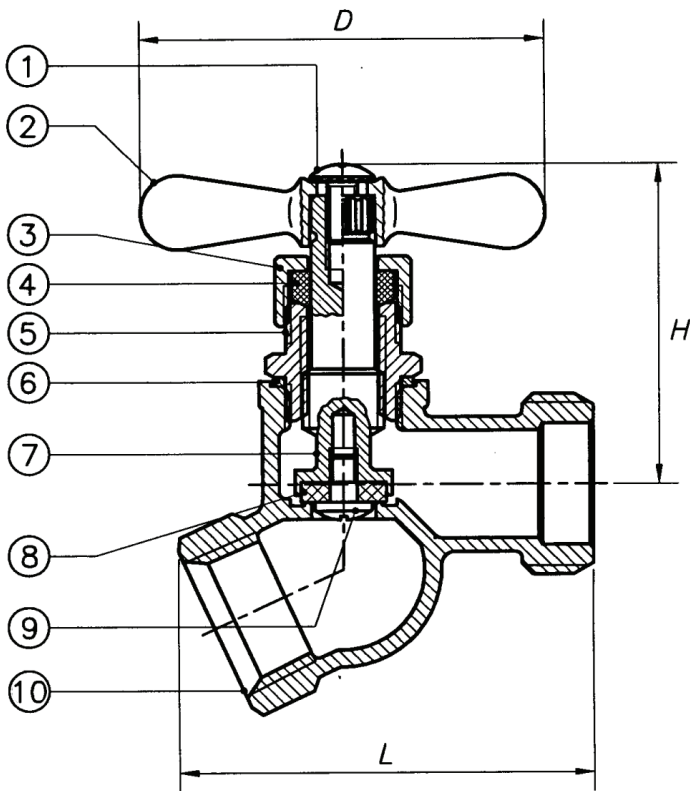
SUBMITTAL DATA SHEET

No-Lead
No-Kink Hose Bibb – 72006

FNPT X MGHT



A.Y. McDonald Mfg. Co. No-Lead Low Pressure Valves are constructed from heavy duty no-lead brass and are recommended for residential and commercial applications and positive shut-off with various inlet configurations.



Dimensions

Size	D	H	L
1/2" x 3/4"	2.36	1.97	2.44
3/4" x 3/4"	2.36	1.97	2.50

Materials

No.	Part	Material
1	Handle Bolt	Steel
2	T-Handle	Zinc
3	Packing Nut	No-Lead Brass
4	Gland Packing	Graphite
5	Bonnet	No-Lead Brass
6	Packing	Formocon
7	Stem	No-Lead Brass
8	Seat Packing	Rubber
9	Seat Screw	No-Lead Brass
10	Body	No-Lead Brass

SUBMITTAL INFORMATION

- 125 WOG
- Available Sizes: 1/2" and 3/4"
- Complies with NSF/ANSI 372-2010

NO-LEAD: The weighted average of the wetted surface of this no-lead product contacted by consumable water contains less than one quarter of one percent (0.25%) lead.



A.Y. McDonald Mfg. Co.
4800 Chavenelle Rd
Dubuque, IA 52002

Toll Free: 1-800-292-2737
sales@aymcdonald.com
aymcdonald.com

A.Y. McDonald considers the information on this assembly drawing correct when published. Item and option availability, including specifications, are subject to change without notice.

Submitted by: