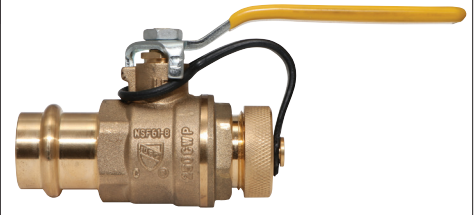
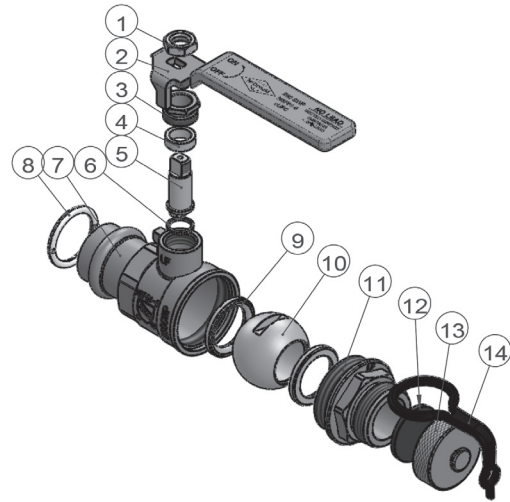
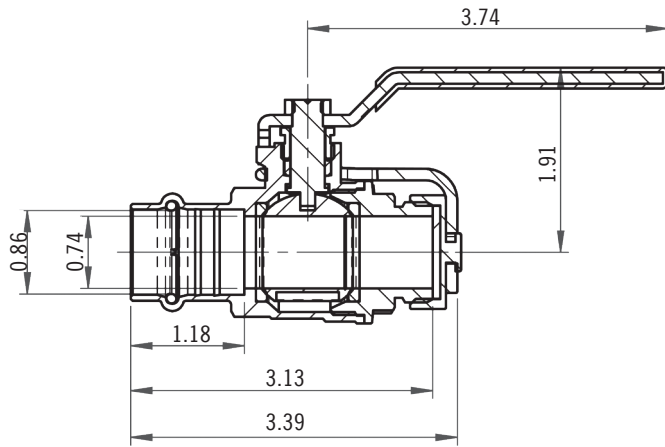


SUBMITTAL DATA SHEET

No-Lead
 Full Port Ball Valve
 Removable Cap – 72028PFGH
 CTS (Press Fit) x MGHT



A.Y. McDonald Mfg. Co. carries a full line of No-Lead Ball Valves that are constructed of heavy duty no-lead brass and can be used with a full range of liquids and gases in commercial, industrial and residential applications. Full Port valves allow for maximum flow with minimum pressure drop.



Materials

No.	Part	Material
1	Hex Screw Cap	Steel
2	Lever	Steel
3	Packing Nut	Brass
4	Packing Gland	PTFE
5	Stem	No-Lead Brass
6	Washer	PTFE
7	Body	No-Lead Brass

No.	Part	Material
8	O-Ring	EPDM
9	Seat	PTFE
10	Ball	No-Lead Brass
11	Bonnet	No-Lead Brass
12	Gasket	EPDM
13	Cap	Brass
14	Strap	PVC

SUBMITTAL INFORMATION

- Cap protects the threads
- Available Size: 3/4"
- 250 PSI Non-Shock CWP

- Conforms to NSF/ANSI 61, NSF/ANSI 372, NSF/ANSI 14



NO-LEAD: The weighted average of the wetted surface of this no-lead product contacted by consumable water contains less than one quarter of one percent (0.25%) lead.



A.Y. McDonald Mfg. Co.
 4800 Chavenelle Rd
 Dubuque, IA 52002

Toll Free: 1-800-292-2737
 sales@aymcdonald.com
 aymcdonald.com

A.Y. McDonald considers the information on this assembly drawing correct when published. Item and option availability, including specifications, are subject to change without notice.

Submitted by: