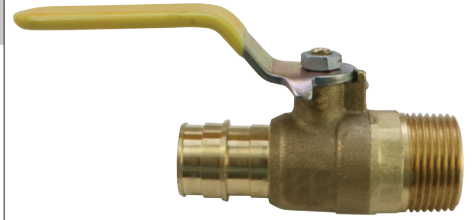


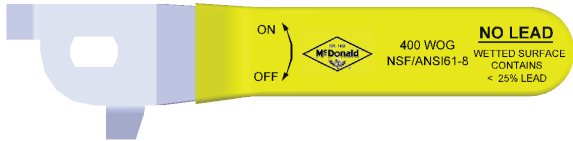
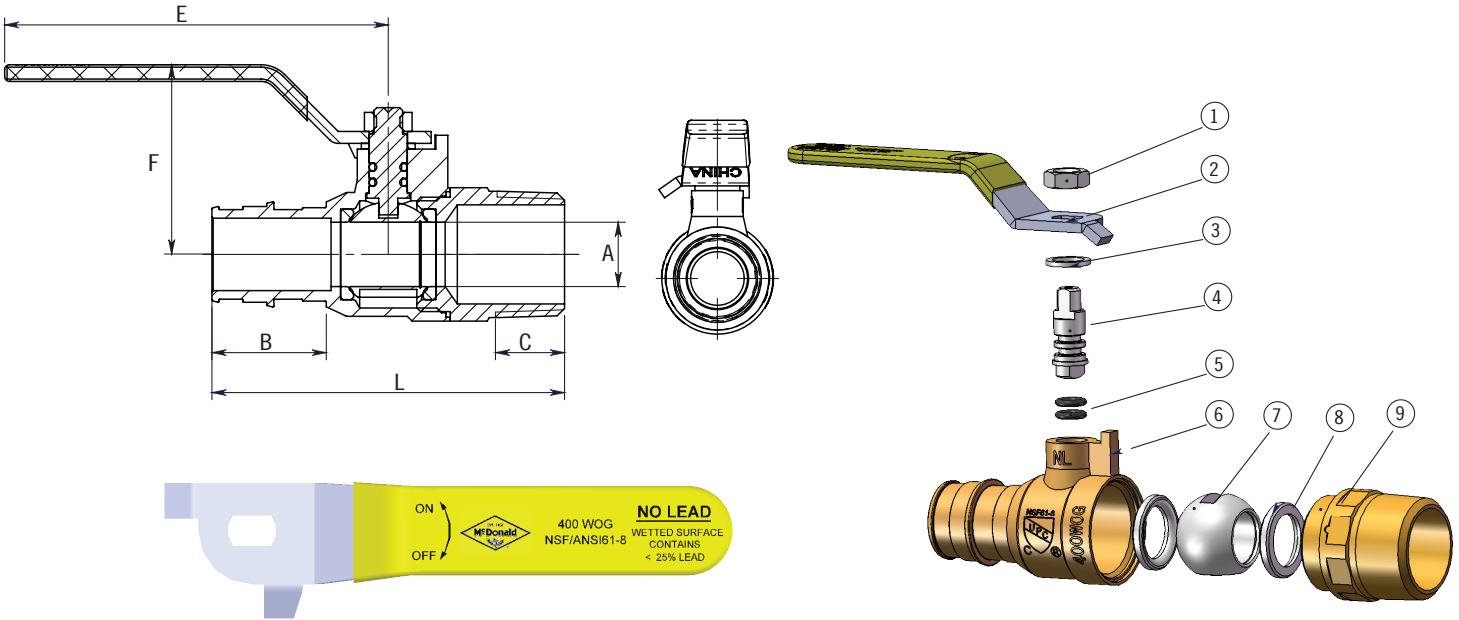
# SUBMITTAL DATA SHEET

## No-Lead Ball Valves Standard Port Ball Valves - 72030EXMP

Expansion Pex x MNPT



A.Y. McDonald Mfg. Co. No-Lead Ball Valves are constructed from heavy duty no-lead brass and can be used with a full range of liquids and gases in commercial, industrial, and residential applications. This is a standard port valve with excellent flow characteristics.



### Dimensions

Size	A	B	C	L	E	F
3/4"	0.53"	0.94"	0.54"	2.91"	3.17"	1.57"
1"	0.71"	1.18"	0.69"	3.60"	4.17"	1.97"

### Materials

No.	Part	Material	No.	Part	Material
1	Hex Nut	Steel	6	Body	Brass (C46500)
2	Handle	Steel	7	Ball	Brass (C46500)
3	Washer	PTFE	8	Seats	PTFE
4	Stem	Brass (C46500)	9	Bonnet	Brass (C46500)
5	O-ring	EPDM			

### SUBMITTAL INFORMATION

- 400 WOG
- Pex End Conform to ASTM F1960
- NSF/ANSI 61-8 & NSF/ANSI 372
- Blowout proof stem
- Available Sizes: 3/4" and 1"



NO-LEAD: The weighted average of the wetted surface of this no-lead product contacted by consumable water contains less than one quarter of one percent (0.25%) lead.



**A.Y. McDonald Mfg. Co.**  
4800 Chavenelle Rd  
Dubuque, IA 52002

**Toll Free: 1-800-292-2737**  
sales@aymcdonald.com  
aymcdonald.com

A.Y. McDonald considers the information on this assembly drawing correct when published. Item and option availability, including specifications, are subject to change without notice.

Submitted by: