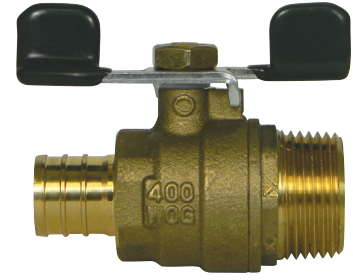


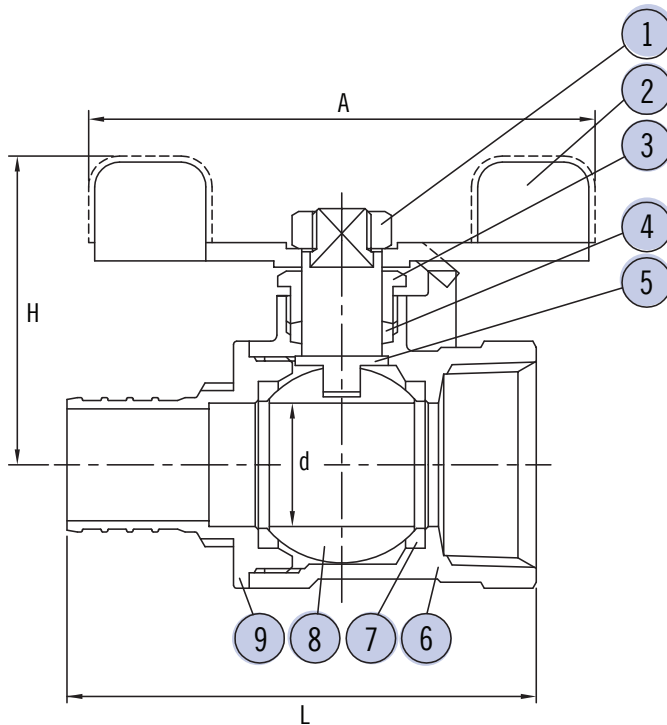
SUBMITTAL DATA SHEET

No-Lead
Standard Port Ball Valve – 72030MP

PEX x MNPT



A.Y. McDonald Mfg. Co. No-Lead Ball Valves are constructed of heavy duty no-lead forged brass and can be used in commercial, industrial and residential applications. This is a standard port valve with excellent flow characteristics.



Materials

No.	Part	Material
1	Nut	Steel
2	Handle	Steel
3	Stem Gland Screw	No-Lead Brass
4	Stem Packing	Teflon
5	Stem	No-Lead Brass
6	Body	No-Lead Brass
7	Ball Disc Packing	Teflon
8	Ball Disc	No-Lead Brass
9	End Plug	No-Lead Brass

Dimensions

Size	L	H	D	A
1/2"	2.48	1.29	.39	2.71
3/4"	2.63	1.45	.59	2.71

SUBMITTAL INFORMATION

- Available Sizes: 1/2" and 3/4"
- 400 WOG
- 150WSP
- Pex end conforms to ASTM F1807
- Blowout proof stem

NO-LEAD: The weighted average of the wetted surface of this no-lead product contacted by consumable water contains less than one quarter of one percent (0.25%) lead.



A.Y. McDonald Mfg. Co.
4800 Chavenelle Rd
Dubuque, IA 52002

Toll Free: 1-800-292-2737
sales@aymcdonald.com
aymcdonald.com

A.Y. McDonald considers the information on this assembly drawing correct when published. Item and option availability, including specifications, are subject to change without notice.

Submitted by: