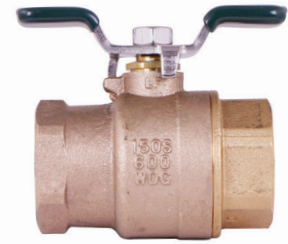


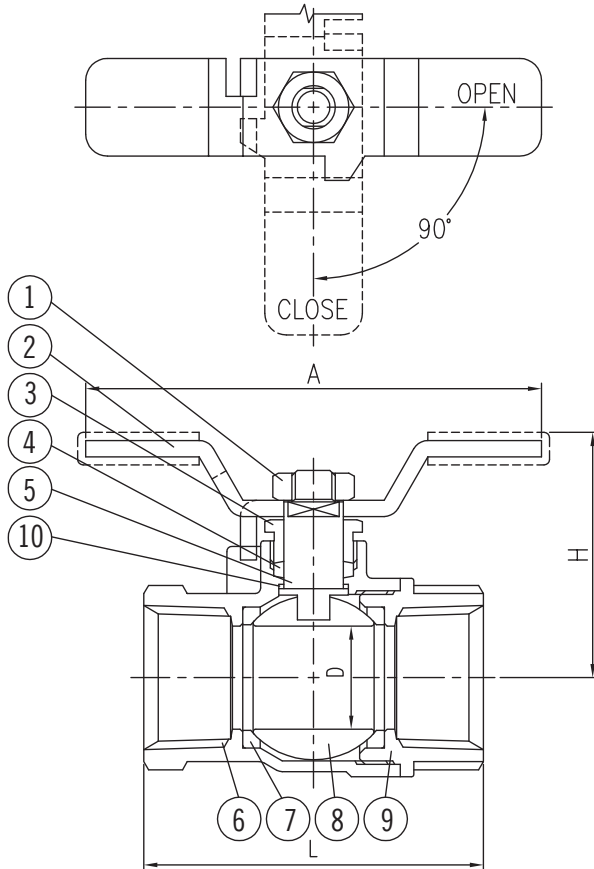
SUBMITTAL DATA SHEET

No-Lead Ball Valves Full Port Ball Valve - 72036TX

FNPT x FNPT



A.Y. McDonald Mfg. Co. No-Lead Full Port Bronze Body Ball Valves are constructed from heavy duty no-lead brass and can be used with a full range of liquids and gases in commercial, industrial, and residential applications. Full port valves allow for maximum flow with minimum pressure drop.



Dimensions

Size	L	H	D	A
3/4"	2.48	1.85	0.75	4.33
1"	2.99	2.05	0.98	4.33
1 1/4"	3.35	2.36	1.26	5.12
1 1/2"	3.62	2.56	1.50	5.12
2"	4.25	3.11	1.97	7.87

Materials

No.	Part	Material
1	Nut	Stainless Steel
2	Handle	Stainless Steel
3	Stem Gland Screw	Brass
4	Stem Packing	Teflon
5	Stem	Brass
6	Body	No-Lead Bronze
7	Ball Packing	Teflon
8	Ball	No-Lead Brass
9	End Plug	No-Lead Brass
10	Washer	Teflon

SUBMITTAL INFORMATION

- 600 WOG
- Available Sizes: 3/4", 1", 1 1/4", 1 1/2", 2"
- NSF/ANSI 61 Annex G & F
- Manufactured to MSS-SP-110
- Threads conform to ANSI B1.20.1
- Blowout proof stem

NO-LEAD: The weighted average of the wetted surface of this no-lead product contacted by consumable water contains less than one quarter of one percent (0.25%) lead.



A.Y. McDonald Mfg. Co.
4800 Chavenelle Rd
Dubuque, IA 52002

Toll Free: 1-800-292-2737
sales@aymcdonald.com
aymcdonald.com

A.Y. McDonald considers the information on this assembly drawing correct when published. Item and option availability, including specifications, are subject to change without notice.

Submitted by: