

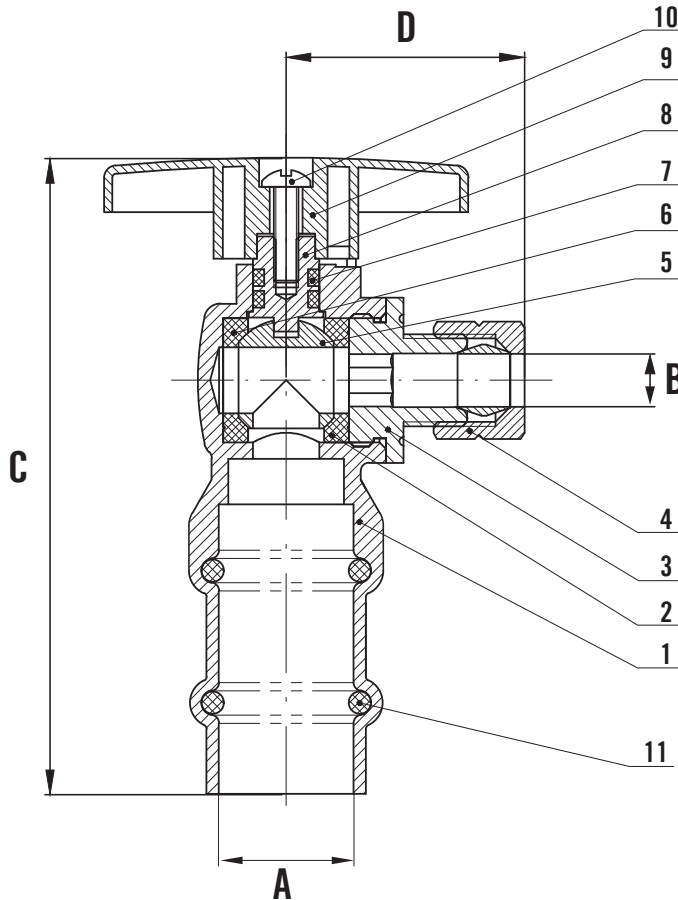
SUBMITTAL DATA SHEET

No-Lead
Quarter Turn Supply Stops - 72082PF

CTS (Press Fit) x Compression



A.Y. McDonald Mfg. Co. No-Lead Quarter Turn Supply Stops are compact, so they are easy to use in tight spaces. The ball valve design allows for ease of operation and positive shutoff, and is ideal for residential and commercial applications. They are designed to shut off the flow of water, without having to turn off the water to the entire house.



Dimensions

Part No.	Model No.	Size	A	B	C	D
5427-207	72082PF	1/2" x 3/8"	0.64"	0.38"	3.07"	1.22"

Materials

No.	Part	Material
1	Valve Body	C46500
2	Seal Ring	PTFE
3	Bonnet	C46500
4	Compression Nut	C37700
5	Ball	C46500
6	Seal Ring	PTFE
7	O-Ring	NBR
8	Stem	C69300
9	Handle	Zinc Alloy
10	Cross Screw	SS302
11	O-Ring	EPDM

SUBMITTAL INFORMATION

- Maximum Temperature: 200°F
- Maximum Pressure: 200 PSI
- Dual O-ring design
- Positive quarter turn shutoff
- One-piece body
- Handle removes easily to help protect against accidental operation, during rough-ins

cNSF-61 

NO-LEAD: The weighted average of the wetted surface of this no-lead product contacted by consumable water contains less than one quarter of one percent (0.25%) lead.



A.Y. McDonald Mfg. Co.
4800 Chavenelle Rd
Dubuque, IA 52002

Toll Free: 1-800-292-2737
sales@aymcdonald.com
aymcdonald.com

A.Y. McDonald considers the information on this assembly drawing correct when published. Item and option availability, including specifications, are subject to change without notice.

Submitted by: