

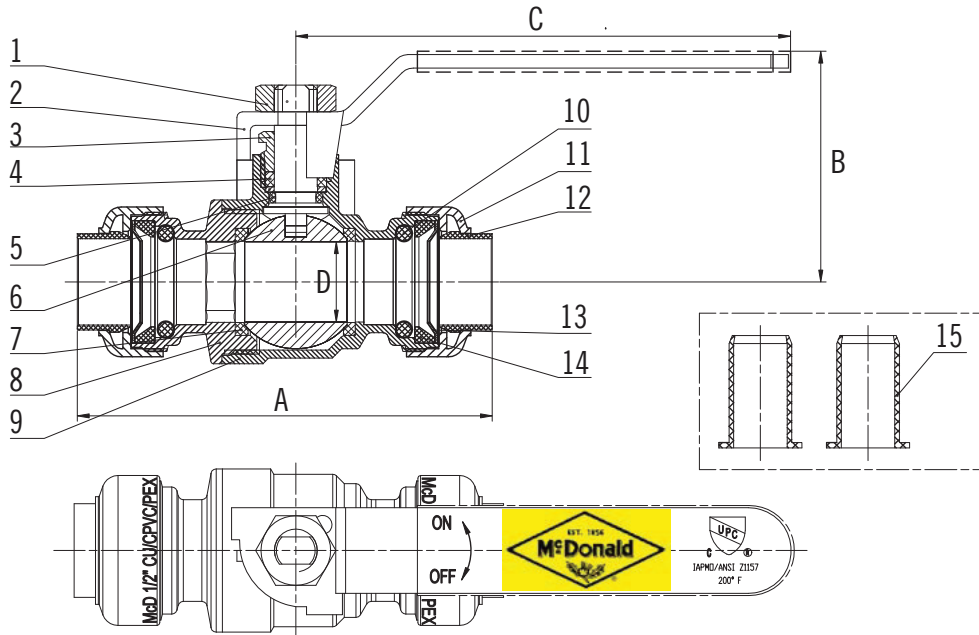
# SUBMITTAL DATA SHEET

No-Lead  
Standard Port Ball Valve – 72105

CTS (Push-Fit) x CTS (Push-Fit)



A.Y. McDonald Mfg. Co. No-Lead Push-Fit Valves are designed for use on copper tubing, Pex tubing, and CPVC pipe. Push-Fit end connections eliminate the need for soldering, crimping, or solvent welding and are designed for above ground, indoor water purposes. These heavy duty valves can be used with potable water in commercial, industrial, and residential applications.



## Materials

No.	Part	Material	No.	Part	Material
1	Lock Nut	SS304	9	Body	Brass (C46500)
2	Handle	Steel	10	O-ring	EPDM
3	Gland Nut	Brass (C37700)	11	Nut	Brass (C37700)
4	Packing	PTFE	12	Sleeve	Polyoxymethylene (POM)
5	O-ring	EPDM	13	Grab Ring	SS316L
6	Ball	Brass (C46500)	14	Protector	Polyoxymethylene (POM)
7	Seat	PTFE	15	Insert	Polysulfone (PSF)
8	End Plug	Brass (C46500)			

## Dimensions

Size	A	B	C	D
1/2"	3.05"	1.69"	3.64"	0.59"
3/4"	3.48"	1.83"	3.64"	0.79"
1"	4.14"	2.42"	4.17"	0.98"

## SUBMITTAL INFORMATION

- Max Working Pressure: 200 PSI
- Temperature Range: 0°F to 200°F
- Use with:
  - Pex tubing in accordance with ASTM F-876 and F-877
  - Copper tubing in accordance with ASTM B88
  - CPVC tubing in accordance with ASTM D2846/2846M-99
- Certified to meet ASSE 1061



**NO-LEAD:** The weighted average of the wetted surface of this no-lead product contacted by consumable water contains less than one quarter of one percent (0.25%) lead.



**A.Y. McDonald Mfg. Co.**  
4800 Chavenelle Rd  
Dubuque, IA 52002

**Toll Free: 1-800-292-2737**  
sales@aymcdonald.com  
aymcdonald.com

A.Y. McDonald considers the information on this assembly drawing correct when published. Item and option availability, including specifications, are subject to change without notice.

**Submitted by:**