

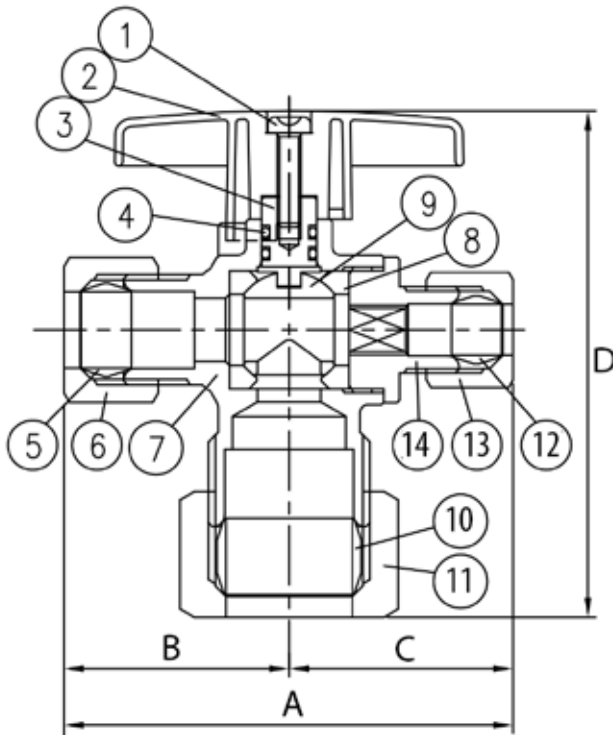
SUBMITTAL DATA SHEET

No-Lead Dual Outlet Supply Stops - 72084D

Compression x Compression x Compression



A.Y. McDonald Mfg. Co. dual outlet supply stops allow two separate supply lines to be attached to a single valve. Ideal for adding dishwashers, ice makers and more to an existing water supply. Designed to stop the flow of water running to the plumbing fixture, allowing for maintenance and repair without shutting off the water to the entire house.



Dimensions

Part No.	Model No.	Size	A	B	C	D
5421-286	72084D	5/8 x 3/8 x 1/4	2.24	1.14	1.10	2.52
5421-287	72084D	5/8 x 3/8 x 3/8	2.32	1.14	1.18	2.52

Materials

No.	Part	Material
1	Handle Screw	Steel
2	Handle	Zinc
3	Stem	No-Lead Brass
4	O-Ring	NBR
5	Compression Ring	C26000
6	Compression Nut	C36000
7	Body	No-Lead Brass
8	Ball Disc Packaging	EPDM or PTFE
9	Ball Disc	No-Lead Brass
10	Compression Ring	C26000
11	Compression Nut	C36000
12	Compression Ring	C26000
13	Compression Nut	C36000
14	End Plug	No-Lead Brass

SUBMITTAL INFORMATION

- Quarter turn operation
- Temperature Rating: 40° to 160°F

- Pressure Rating: 100 PSI
- Can be used with new or existing systems



NO-LEAD: The weighted average of the wetted surface of this no-lead product contacted by consumable water contains less than one quarter of one percent (0.25%) lead.



A.Y. McDonald Mfg. Co.
4800 Chavenelle Rd
Dubuque, IA 52002

Toll Free: 1-800-292-2737
sales@aymcdonald.com
aymcdonald.com

A.Y. McDonald considers the information on this assembly drawing correct when published. Item and option availability, including specifications, are subject to change without notice.

Submitted by: