

SUBMITTAL DATA SHEET

Service Fitting – 4700-22GA

-22 CTS Compression Gasket Assembly

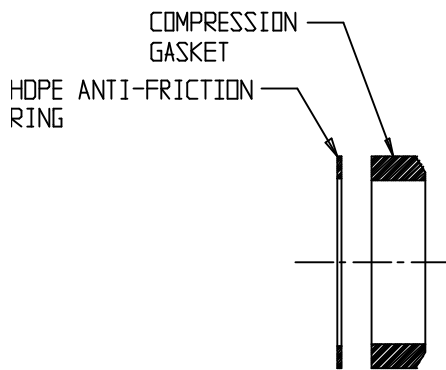


PLATE NO.	SIZE
4700-22GA 1/2	1/2 CTS
4700-22GA 3/4	3/4 CTS
4700-22GA 1	1 CTS
4700-22GA 1 1/4	1 1/4 CTS
4700-22GA 1 1/2	1 1/2 CTS
4700-22GA 2	2 CTS
4700-22RWGA 1 1/2	1 1/2 CTS (12 OR 16 PITCH)
4700-22RWGA 2	2 CTS (12 OR 16 PITCH)

SUBMITTAL INFORMATION

- Manufactured in compliance with ANSI/AWWA C800 (latest revision)
- Certified to NSF/ANSI 61 and NSF/ANSI 372



A.Y. McDonald Mfg. Co.
4800 Chavenelle Rd
Dubuque, IA 52002

Toll Free: 1-800-292-2737
sales@aymcdonald.com
aymcdonald.com

A.Y. McDonald considers the information on this assembly drawing correct when published. Item and option availability, including specifications, are subject to change without notice.

Submitted by: